



**MCP250XX
DEVELOPMENT KIT
USER'S GUIDE**

Information contained in this publication regarding device applications and the like is intended through suggestion only and may be superseded by updates. It is your responsibility to ensure that your application meets with your specifications. No representation or warranty is given and no liability is assumed by Microchip Technology Incorporated with respect to the accuracy or use of such information, or infringement of patents or other intellectual property rights arising from such use or otherwise. Use of Microchip's products as critical components in life support systems is not authorized except with express written approval by Microchip. No licenses are conveyed, implicitly or otherwise, under any intellectual property rights.

Trademarks

The Microchip name and logo, the Microchip logo, KEELOQ, MPLAB, PIC, PICmicro, PICSTART and PRO MATE are registered trademarks of Microchip Technology Incorporated in the U.S.A. and other countries.


FilterLab, microID, MXDEV, MXLAB, PICMASTER, SEEVAL and The Embedded Control Solutions Company are registered trademarks of Microchip Technology Incorporated in the U.S.A.

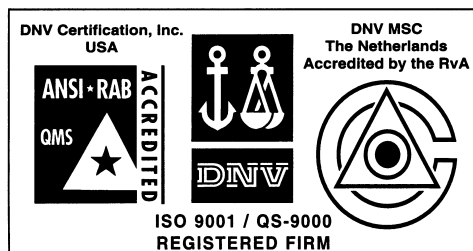
dsPIC, dsPICDEM.net, ECONOMONITOR, FanSense, FlexROM, fuzzyLAB, In-Circuit Serial Programming, ICSP, ICEPIC, microPort, Migratable Memory, MPASM, MPLIB, MPLINK, MPSIM, PICC, PICDEM, PICDEM.net, rFPIC, Select Mode and Total Endurance are trademarks of Microchip Technology Incorporated in the U.S.A. and other countries.

Serialized Quick Turn Programming (SQTP) is a service mark of Microchip Technology Incorporated in the U.S.A.

All other trademarks mentioned herein are property of their respective companies.

© 2002, Microchip Technology Incorporated, Printed in the U.S.A., All Rights Reserved.

 Printed on recycled paper.



Microchip received QS-9000 quality system certification for its worldwide headquarters, design and wafer fabrication facilities in Chandler and Tempe, Arizona in July 1999 and Mountain View, California in March 2002. The Company's quality system processes and procedures are QS-9000 compliant for its PICmicro® 8-bit MCUs, KEELOQ® code hopping devices, Serial EEPROMs, microperipherals, non-volatile memory and analog products. In addition, Microchip's quality system for the design and manufacture of development systems is ISO 9001 certified.



MCP250XX USER'S GUIDE

Table of Contents

Preface	v
Chapter 1. Product Overview and Installation	
1.1 Introduction	1
1.2 Highlights	1
1.3 What is the MCP250XX Development Kit?	1
1.4 System Requirements	2
1.5 MCP250XX Development Kit Components	3
1.6 MCP250XX Development Board Components	4
1.7 Hardware Installation	7
1.8 Software Installation	8
Chapter 2. MCP250XX Basic View Tutorial	
2.1 Introduction	9
2.2 Highlights	9
2.3 Setting up the Basic Template Evaluation Mode	9
2.4 Establishing Communications	16
2.5 Explaining the CAN Messages	18
Chapter 3. MCP250XX Register View Tutorial	
3.1 Introduction	19
3.2 Highlights	19
3.3 Setting up the Register Template Evaluation Mode	19
3.4 Establishing Communication	23
3.5 Explaining the Register Template Windows	23
Chapter 4. Programming the MCP250XX User Defaults	
4.1 Introduction	25
4.2 Highlights	25
4.3 Device Programmer	25
4.4 Programming via the ICSP Connector	30
Chapter 5. Other Capabilities of the Development Board	
5.1 Introduction	31
5.2 Highlights	31
5.3 Oscillator Configurations	31
5.4 Node A Prototyping Area and Header Pinout	32
5.5 External Bus Connections	32

MCP250XX User's Guide

Appendix A. Schematics and Layouts

A.1 Introduction	35
A.2 Highlights	35
A.3 Vpp Step-up Regulator	36
A.4 Clock and Data for Programming	37
A.5 PC Node	38
A.6 CAN Physical Layer	39
A.7 Node A and Node B	40
A.8 Caps Page	41
Index	43
Worldwide Sales and Service	44

Preface

Introduction

This section contains general information that will be useful to know before using the MCP250XX Development Kit.

Highlights

This section covers the following topics:

- About this Guide
- Recommended Reading
- Warranty Registration
- Troubleshooting
- The Microchip Internet Web Site
- Customer Support

About This Guide

DOCUMENT LAYOUT

This document describes how to use the MCP250XX Development Kit to evaluate CAN I/O Expander applications using MCP250XX devices.

The User's Guide layout is as follows:

- **Chapter 1: Product Overview and Installation** – details the hardware and software components and discusses installation procedures.
- **Chapter 2: MCP250XX Tutorial** – covers some of the key elements of the MCP250XX by going through the steps for setting up and running the demonstration program.
- **Chapter 3: Programming the MCP250XX Using the Development Board** – describes the procedure for programming the MCP250XX using the programming circuitry and special software.
- **Chapter 4: Other Capabilities of the MCP250XX Development Kit** - details the other capabilities of the MCP250XX Development Kit, including configuring the board for multiple oscillators, connecting the board to the MCP2510 development board, and connecting the board to external CAN busses.

MCP250XX User's Guide

Appendices

- **Appendix A: Schematics and Layouts** – lists the schematics and layouts diagrams for the MCP250XX Development Kit.
- **Index** – cross-reference listing of terms, features and sections of this document.
- **Worldwide Sales and Service** – provides the address, telephone and fax numbers for Microchip Technology Inc. sales and service locations throughout the world.

Updates

Since Microchip tools are constantly evolving to meet customer needs, some software dialogs and/or tool descriptions may differ from this document. Please refer to the Microchip web site to obtain the latest documentation available.

Warranty Registration

Please complete the enclosed Warranty Registration Card and mail it promptly. Sending in the Warranty Registration Card entitles you to receive new product updates. Interim software releases are available at the Microchip web site.

Recommended Reading

This user's guide describes how to use the MCP250XX Development Kit. For more information regarding the MCP250XX devices and other CAN related topics, the following are recommended reading.

MCP2502X/2505X Data Sheet (DS21664)

This data sheet provides detailed information regarding the MCP250XX CAN I/O Expanders.

MCP2510 Data Sheet (DS21291)

This data sheet provides detailed information regarding the MCP2510 Stand-Alone CAN Controller, which is the master node on the board.

ProMate[®] II User's Guide (DS30082)

This manual contains a section explaining how to program the MCP250XX devices using the specified socket module

MCP250XX Programming Specification (DS20072)

This specification explains the requirements for programming the MCP250XX using the ICSP™ protocol.

AN815 - Understanding the MCP250XX Devices (DS00815)

AN816 - A CAN System Using Multiple MCP250XX I/O Expanders (DS00816)

AN713 - An Introduction to the CAN Protocol Application Note (DS00713)

This application note will help those new to the CAN protocol, come up to speed on CAN quickly.

AN754 - Understanding Microchip's CAN Module Bit Timing Application Note (DS00754)

This application note is an in-depth discussion of bit timing using Microchip's CAN module.

A CAN Kingdom by Lars-Berno Fredriksson (Kvaser AB)

This document covers the CAN Kingdom Specification and should help give an insight into the main software and some of the menu items that refer to CAN Kingdom specific functions. More information can be found at www.cankingdom.org

CANKing Help Files

The help files are a good resource for answering the common questions about the MCP250XX Development Kit, including the CAN Kingdom specific menu items.

README Files

Contain the latest information on the MCP250XX Evaluation System.

Technical Library CD-ROM (DS00161)

This CD-ROM contains comprehensive application notes, data sheets, and technical briefs for all Microchip products. To obtain this CD-ROM, contact the nearest Microchip Sales and Service location (see back page).

Microchip Web Site

Our web site (<http://www.microchip.com>) contains a wealth of documentation. Individual data sheets, application notes, tutorials and user's guides are all available for easy download. All documentation is in Adobe Acrobat (pdf) format.

Microsoft® Windows® Manuals

These manuals assume that users are familiar with the Microsoft Windows operating system. Many excellent references exist for this software program and should be consulted for general operation of Windows.

Troubleshooting

See the README files for information on common problems not addressed in this user's guide.

MCP250XX User's Guide

The Microchip Internet Web Site

Microchip provides on-line support on the Microchip World Wide Web (WWW) site.

The web site is used by Microchip as a means to make files and information easily available to customers. To view the site, the user must have access to the internet and a web browser, such as Netscape[®] Communicator or Microsoft[®] Internet Explorer[®]. Files are also available for FTP download from our FTP site.

Connecting to the Microchip Internet Web Site

The Microchip web site is available by using your favorite Internet browser to attach to:

<http://www.microchip.com>

The file transfer site is available by using an FTP program/client to connect to:

<ftp://ftp.microchip.com>

The web site and file transfer site provide a variety of services. Users may download files for the latest Development Tools, Data Sheets, Application Notes, User's Guides, Articles, and Sample Programs. A variety of Microchip specific business information is also available, including listings of Microchip sales offices, distributors and factory representatives. Other data available for consideration is:

- Latest Microchip Press Releases
- Technical Support Section with Frequently Asked Questions
- Design Tips
- Device Errata
- Job Postings
- Microchip Consultant Program Member Listing
- Links to other useful web sites related to Microchip Products
- Conferences for products, Development Systems, technical information and more
- Listing of seminars and events

Customer Support

Users of Microchip products can receive assistance through several channels:

- Distributor or Representative
- Local Sales Office
- Field Application Engineer (FAE)
- Corporate Applications Engineer (CAE)
- Hot line

Customers should call their distributor, representative or field application engineer (FAE) for support. Local sales offices are also available to help customers. See the back cover for a listing of sales offices and locations.

Corporate applications engineers (CAEs) may be contacted at (480) 792-7627.

In addition, there is a Systems Information and Upgrade Line. This line provides system users a listing of the latest versions of all of Microchip's development systems software products. Plus, this line provides information on how customers can receive any currently available upgrade kits.

The Hot Line numbers are:

1-800-755-2345 for U.S. and most of Canada, and

1-480-792-7302 for the rest of the world.

MCP250XX User's Guide

NOTES:

Chapter 1. Product Overview and Installation

1.1 Introduction

This chapter provides an overview of the MCP250XX Development Kit, instructions on how to connect the system components and how to install the software.

1.2 Highlights

This chapter covers the following topics:

- What is the MCP250XX Development Kit?
- System Requirements
- MCP250XX Development Kit Components
- MCP250XX Development Board Components
- Hardware Installation
- Software Installation

1.3 What is the MCP250XX Development Kit?

The MCP250XX Development Kit is an evaluation, demonstration and development tool for Microchip Technology's 14-pin CAN I/O Expanders. The MCP250XX can be evaluated easily by installing the provided software and running the demonstration program. Furthermore, development can be done by utilizing the bare CAN node with prototyping area, along with the on-board device programmer.

The development board has the ability of programming the user defined defaults by using the device programmer module and the supplied software. Alternatively, the In-Circuit Serial Programming™ (ICSP™) protocol can be used to program the MCP250XX using the 5-pin header, which is connected to a 14-pin socket on the board. See the MCP250XX Programming Specification (DS20072) for details on programming via ICSP.

Some of the key features of the MCP250XX Development Kit:

- Evaluation of Microchip's CAN I/O Expanders
- Programming the MCP2505X devices using supplied software
- Programming the MCP2505X devices via the ICSP protocol
- Connectable to external CAN networks

MCP250XX USER'S GUIDE

1.4 System Requirements

To take full advantage of the MCP250XX features, you must install the supplied demonstration/evaluation software on a host computer. The MCP250XX requires:

- Microsoft® Windows® 95/98/ME/NT/2000 operating system
- One free parallel port
- CD-ROM drive

Product Overview and Installation

1.5 MCP250XX Development Kit Components

The MCP250XX Development Kit contains:

- MCP250XX Development Board
- MCP250XX Development Kit User's Guide
- MCP250XX Development Kit CD-ROM with demo and programming software
- Parallel port cable
- 9V DC power supply adapter
- Warranty/Registration card
- Three MCP25020 CAN I/O Expanders
- Three MCP25050 CAN I/O Expanders

FIGURE 1.1: MCP250XX DEVELOPMENT KIT



MCP250XX USER'S GUIDE

1.6 MCP250XX Development Board Components

The MCP250XX Development Board consists of four main parts (see Figure 1.4):

1. PC Node
2. Node A
3. Node B
4. Device Programmer

1.6.1 PC Node

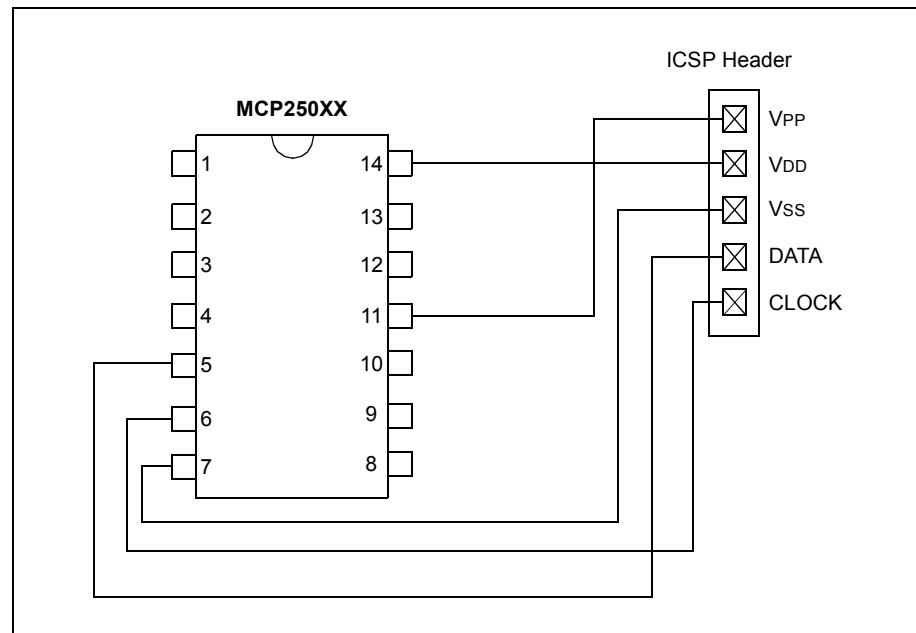
The PC Node is the master node for the demonstration program that controls Node B. This node contains a MCP2510 Stand-Alone CAN Controller that is controlled by the host PC via a custom parallel port interface.

Note: All three nodes are connected to a common CAN bus that has external connections via the DB9 connector.

1.6.2 Node A

Node A is a bare CAN node next to the prototyping area. This node is used for MCP250XX prototyping and can also be used to program the user defaults via the ICSP protocol. See Figure 1.2 for pinout description

FIGURE 1.2: NODE A PINOUT

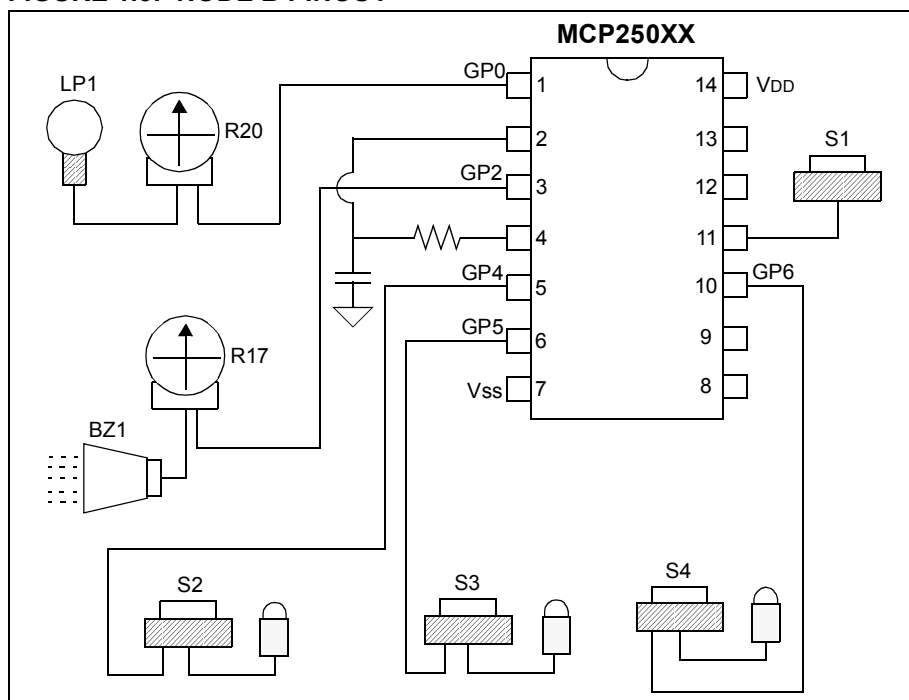


Product Overview and Installation

1.6.3 Node B

Node B is the slave node for the demonstration program. Analog inputs (potentiometers), PWM outputs (piezo buzzer and incandescent lamp) and digital inputs (push-buttons) are all connected to the MCP25050 device. It responds to inputs and CAN messages accordingly to demonstrate device functionality. See Figure 1.3 for pinout description.

FIGURE 1.3: NODE B PINOUT

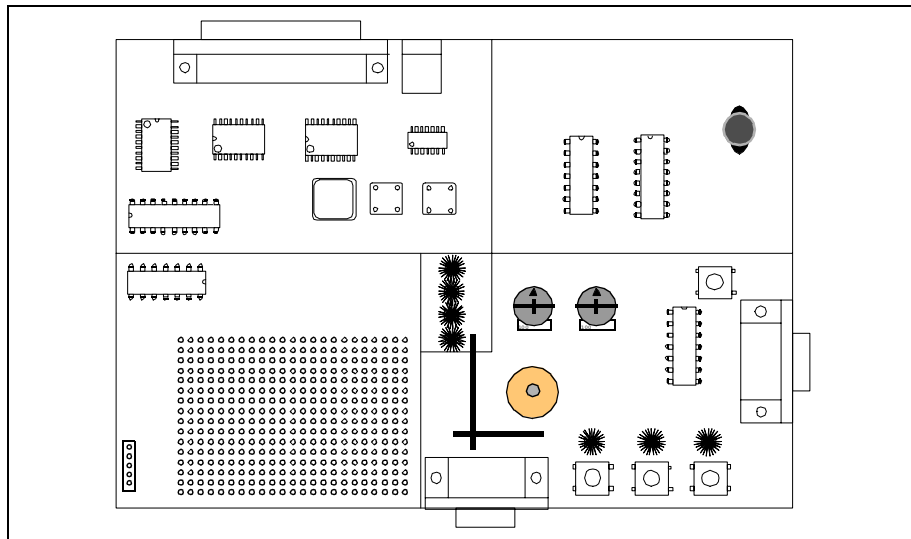


MCP250XX USER'S GUIDE

1.6.4 Device Programmer

The Device Programmer module is used with PC software to configure the user-defined defaults.

FIGURE 1.4: MCP250XX DEVELOPMENT BOARD



1.6.5 Key Areas of the MCP250XX Development Board

There are a few key areas on the board. Figure 1.4 shows these areas and Table 1.1 details them.

Table 1.1: MCP250XX Board Layout

Key Areas	Description
DB25	The DB25 is the connection to the host PC interface. The PC controls both the PC Node and the Device Programmer circuit.
U6	The CAN Controller (MCP2510) of the PC Node that is controlled by the host PC.
U15, J5, and JP4	U15 is the prototyping node. J5 is the ICSP header for U15. JP4 jumpers board power to the VDD pin of U15 and should be removed if using J5 (ICSP header) to isolate U15 from the rest of the board during In-Circuit Serial Programming.
U14	The MCP250XX for the demonstration program. Connected to the potentiometers, piezo, buttons and lamp.
U3	The socket for programming the user-defined defaults using the programming software.
Y1, Y2, Y3, JP1, and JP2	Y1, Y2 and Y3 are the oscillator sockets for each of the three CAN nodes. By default, all of the Yx outputs are connected together (JP1 and JP2 are shorted via a trace on the back of the board) and only Y1 is populated (i.e., Y1 clocks all three CAN nodes). To separate the oscillator sockets, the traces shorting JP1 and JP2 must be cut.
U11, U12, U13, J3, and J4	U11 - U13 are the CAN drivers all connected to a common CAN bus. The two DB9s (J3 and J4) are the external CAN bus connections. Only J4 is populated.
D2, D3, D4, and D5	CAN traffic indicator LEDs. D2 represents all traffic. D3 - D5 represent transmitted traffic of each of the three nodes.

Product Overview and Installation

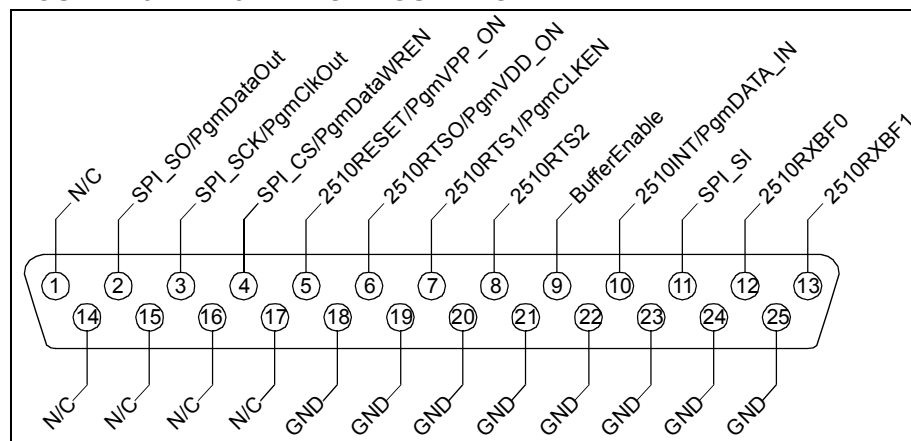
1.7 Hardware Installation

This section describes the hardware connections.

1.7.1 Connecting the DB25 Cable

The included DB25 cable is a male-to-male configuration and plugs into the parallel port of the host PC. Figure 1.5 shows the pin configuration.

FIGURE 1.5: DB25 PIN CONFIGURATION



1.7.2 9V Power Supply Adapter

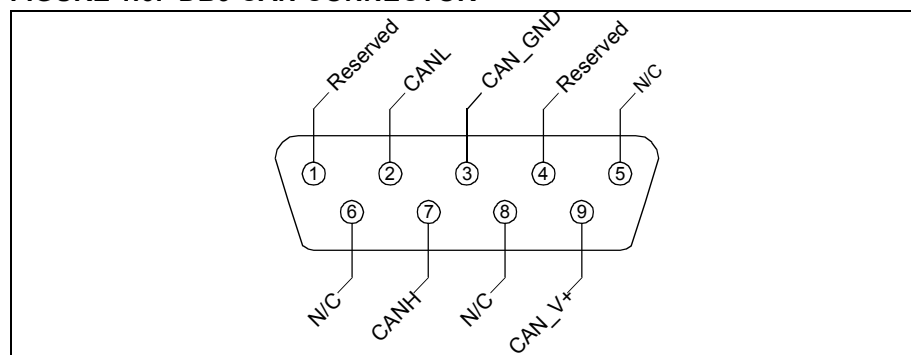
The power supply is rated at 9V, 750 mA DC.

1.7.3 DB9 External CAN Bus Connectors (optional)

The DB9 connector, as shown in Figure 1.6, is used to connect the MCP250XX Development Board to an external CAN bus and is not necessary for basic board operation.

Note: Only the DB9 at J4 is populated. J3 is available as needed.

FIGURE 1.6: DB9 CAN CONNECTOR



MCP250XX USER'S GUIDE

1.8 Software Installation

Insert the MCP250XX Development Kit CD-ROM into the CD-ROM drive.

1.8.1 Autorun Enabled

If autorun is enabled, the installation program will automatically start. Follow the instructions on the screen to install the software.

1.8.2 Autorun Not Enabled

If autorun is not enabled:

1. Click the **Start** button and select Run. Enter `d:\setup.exe` (where `d:\` is your CD-ROM drive). Click **OK**. Or alternatively, find the CDROM drive using "Windows Explorer" and double click "setup.exe".

Note: Windows NT[®] and Windows 2000 users must have administrative privileges in order to install the MXLAB[®] software.

2. Follow the on-line instructions to install the software.

Chapter 2. MCP250XX Basic View Tutorial

2.1 Introduction

The MCP250XX Development Kit provides the means for programming and evaluating the MCP250XX CAN I/O Expander devices. This tutorial discusses the evaluation portion of the kit. This chapter details the demonstration software (Basic Template) and CAN system (PC Node and Node B), as well as covering the steps required to successfully run the demonstration network.

The user defaults for Node B are pre-programmed at the factory. Therefore, no user default programming is necessary. No discussion of programming will take place in this chapter. The following chapter will detail programming user defaults.

Note: The software must be installed, and the hardware connected, to run the demonstration program.

2.2 Highlights

This chapter covers the following topics:

- Setting up the Evaluation Mode
- Establishing Communications
- Explaining the CAN Messages

2.3 Setting up the Basic Template Evaluation Mode

The MCP250XX Development Kit “Basic Template” contains the following major elements:

1. **Menu Bar** (Figure 2.1) - The layout is typical of most Windows menu bars.
2. **PC Node Bit Timing and Mode** (Figure 2.2) - The bit timing and the mode of operation (Normal and Configuration) for the MCP2510 (PC Node) are configured with this window.
3. **Board Status** (Figure 2.3) - Indicates if the board is connected to the PC and also indicates the parallel port address used.
4. **Message Format Window** (Figure 2.4) - Selects how CAN messages are formatted and interpreted. The default is “Standard Text Format” and is used for the demonstration program. The other format is used with the CAN Kingdom higher layer protocol.
5. **Bus Monitor Window** (Figure 2.5) - Also known as the Output window. This window shows all bus traffic.

MCP250XX USER'S GUIDE

6. **MCP250XX Demonstration** (Figure 2.6) - This window is the graphical interpretation of the Node B (the demonstration node).

FIGURE 2.1: MENU BAR

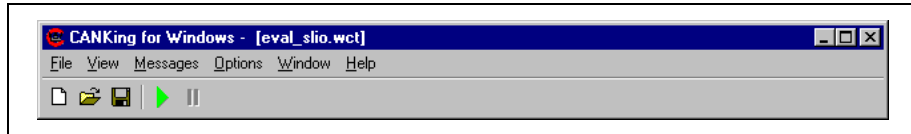


FIGURE 2.2: PC NODE BIT TIMING AND MODE

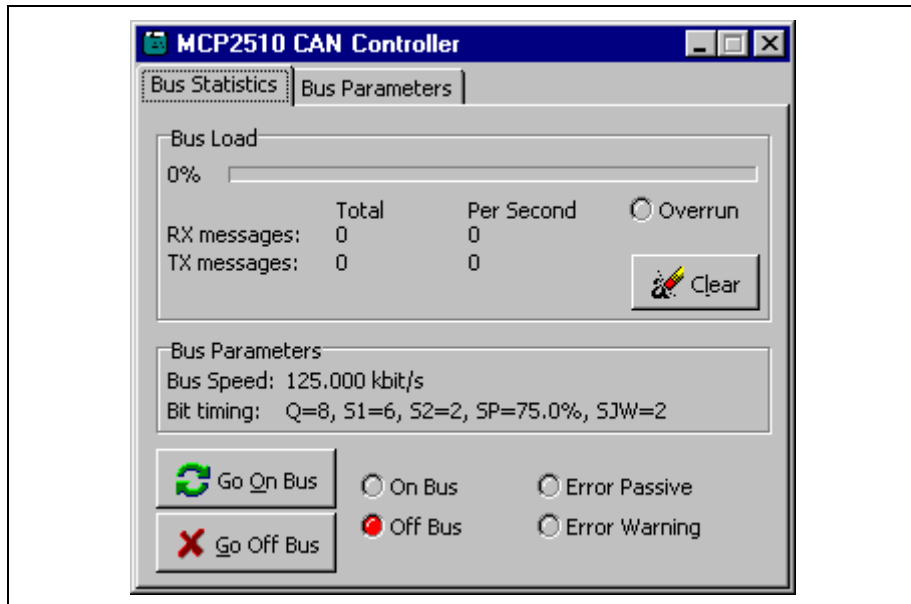
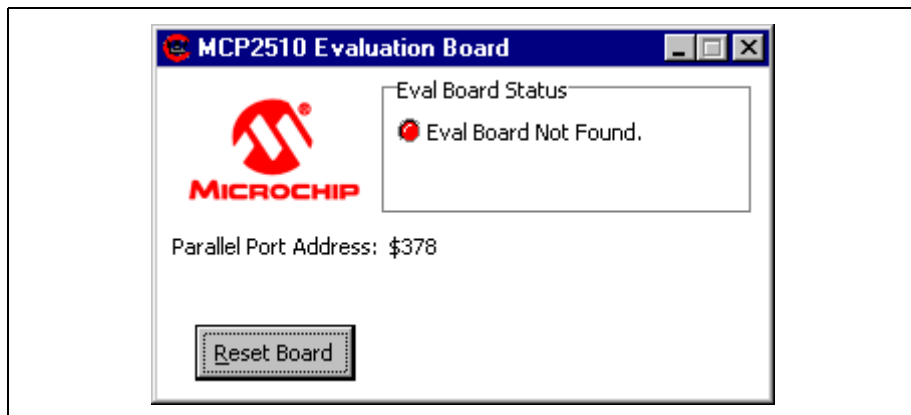


FIGURE 2.3: BOARD STATUS



MCP250XX Basic View Tutorial

FIGURE 2.4: MESSAGE FORMAT WINDOW

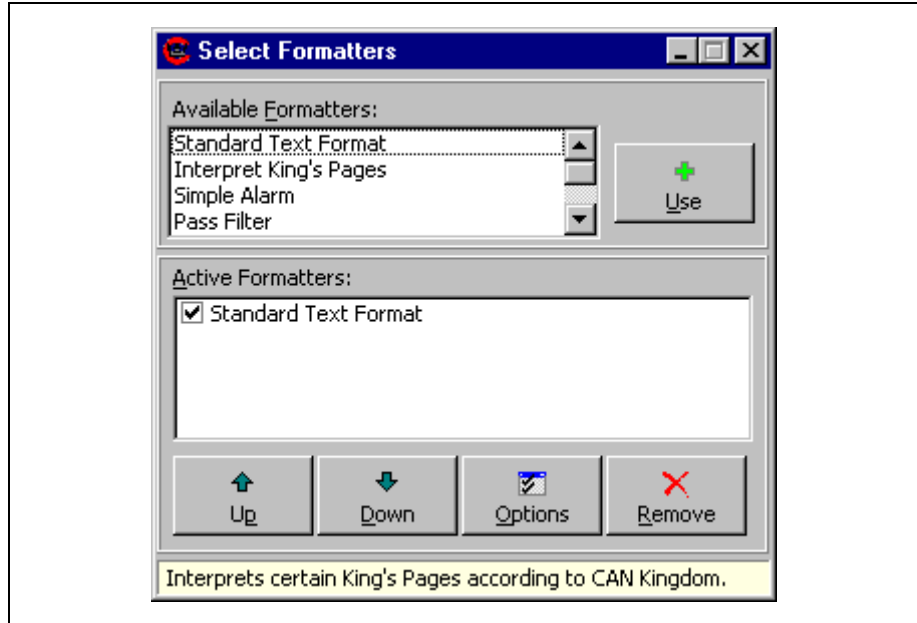
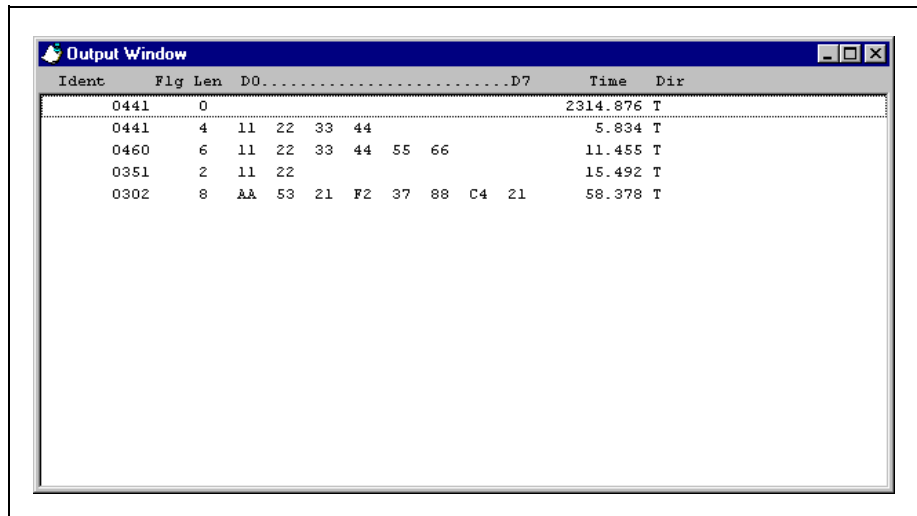
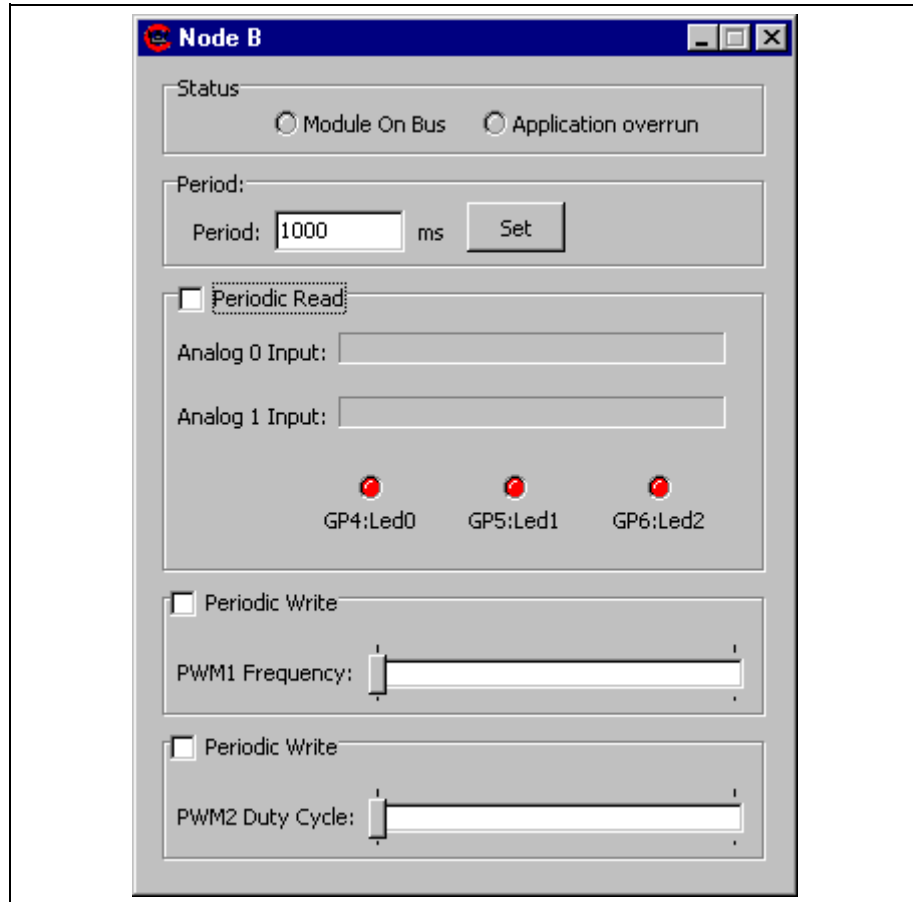


FIGURE 2.5: BUS MONITOR WINDOW



MCP250XX USER'S GUIDE

FIGURE 2.6: MCP250XX DEMONSTRATION WINDOW



2.3.1 Starting the Program

1. Start the software by any of the following:
 - From the “Start” menu, select “Programs > Microchip > CANKing“
 - Or select “C:\Program Files\Microchip\Mcan\WC32.exe”
 - Or Double click on the desktop icon for the MCP250XX Development Kit
2. A notice will appear warning of the potential undesired results if connecting to an existing CAN bus (Figure 2.7). Select “OK, I know what I am doing”.
3. Next, a dialog will appear asking if a new template or a saved project should be opened. Select “New Template” (Figure 2.9).
4. When the template dialog appears, select “MCP250XX Evaluation” (Figure 2.10).

The software is now started. There are a few other options that the user may want to configure for convenience before saving the project and capturing the defaults.

2.3.2 Setting the Numeric Base for Transmit and Monitor Windows

The default numeric base can be changed as desired for both the transmit buffer window and the bus monitor window. Base 16 (hex) numbers are preceded by a “\$”.

2.3.2.1 Transmit Buffer Window

The numeric base for the transmit buffer is configured by selecting “Options > Global...” from the menu. Check desired numeric base.

2.3.2.2 Bus Monitor Window

If the “Select Formatters” window is not visible, select it from the “View” menu. Highlight (do not uncheck) the “Standard Text Format” text in the “Select Formatters” window. Click “Properties” and check the desired numeric base. (See Figure 2.8).

A few other items must be addressed before proper communication can occur, as discussed in the next section.

MCP250XX USER'S GUIDE

FIGURE 2.7: WARNING ON STARTUP

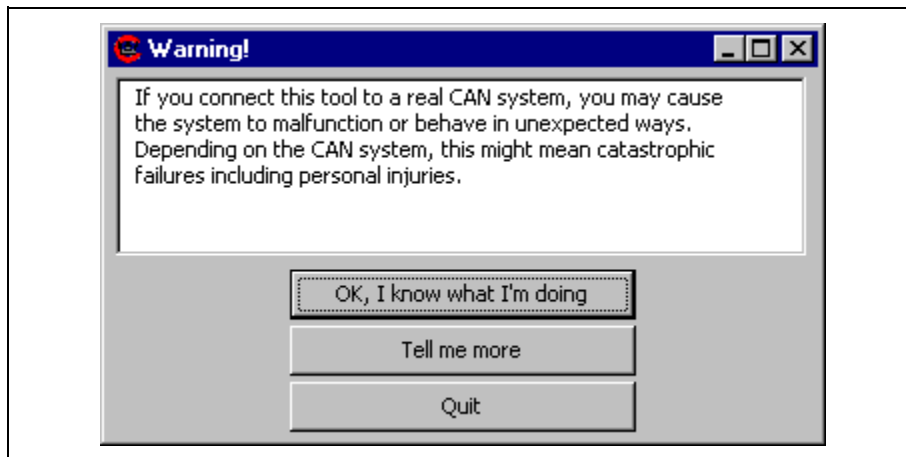
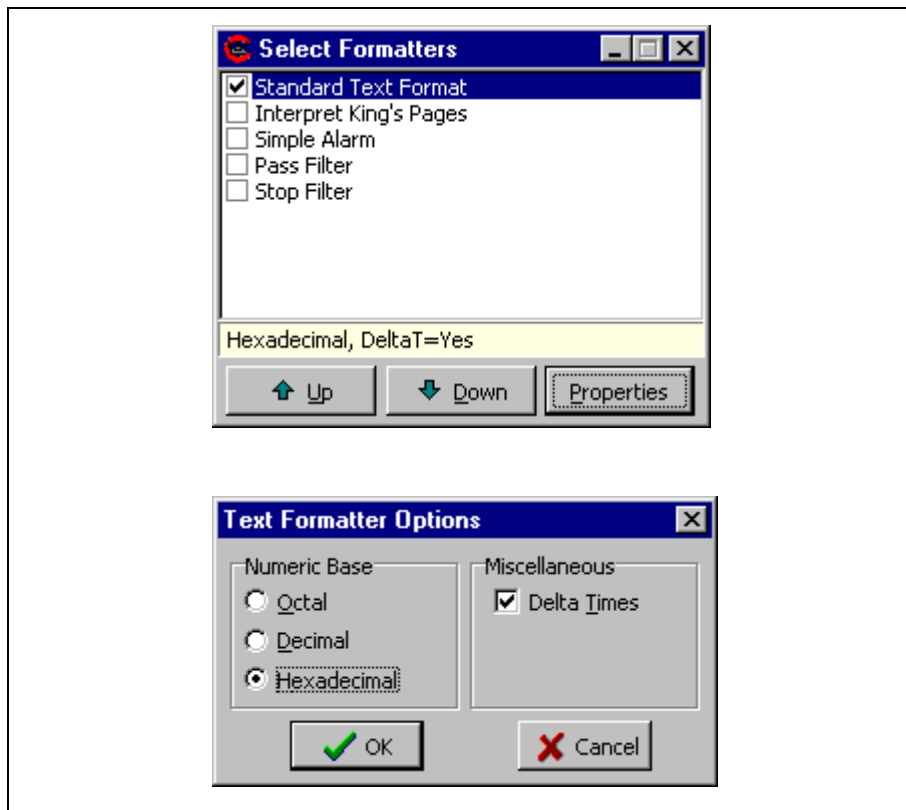


FIGURE 2.8: CHANGING NUMERIC BASE FOR BUS MONITOR



MCP250XX Basic View Tutorial

FIGURE 2.9: OPEN DIALOG

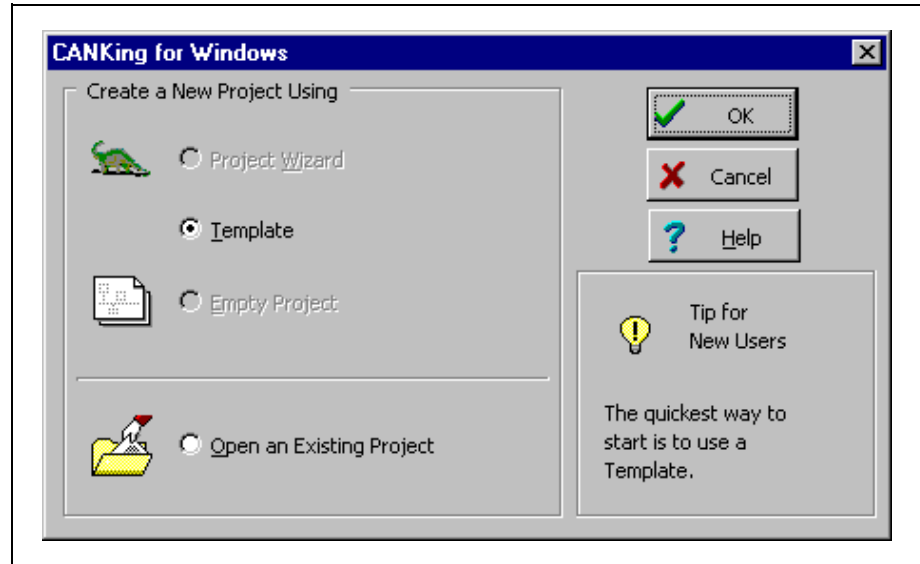
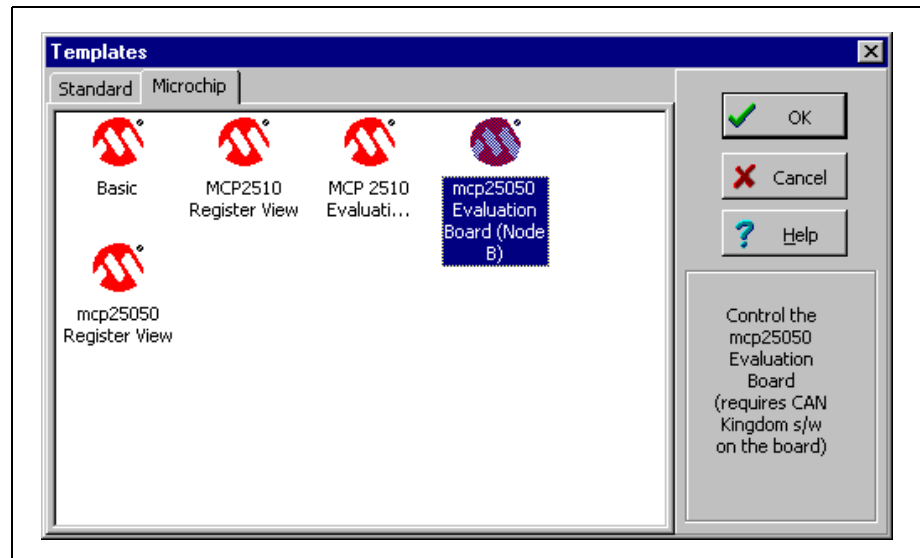


FIGURE 2.10: TEMPLATE DIALOG



MCP250XX USER'S GUIDE

2.4 Establishing Communications

When the software is started from a new template (as it must be the first time it is started), some steps must be taken to insure proper operation and to set up the software defaults. These defaults can be saved by saving the template as a project and opening the project in subsequent sessions.

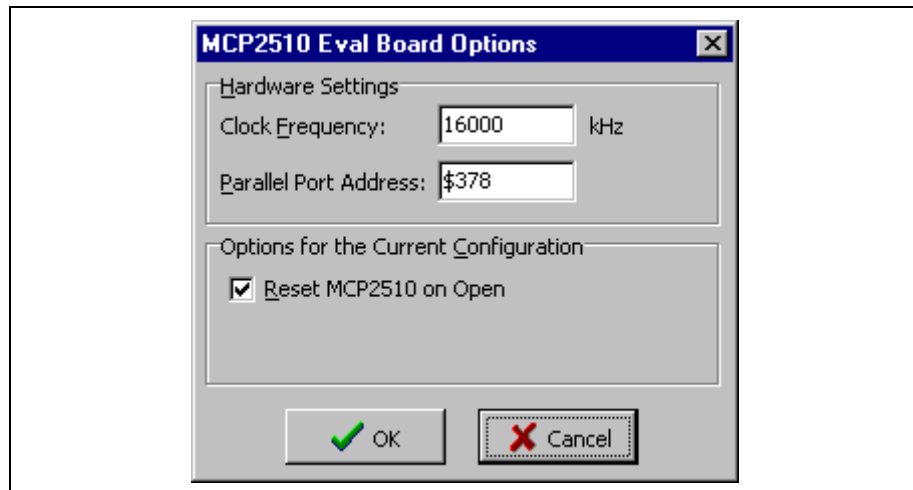
2.4.1 Configure Parallel Port

The board status (including parallel port address and connection status) is indicated in the Board Status Window (Figure 2.3). Assuming the port address, as displayed in the window, matches the address as configured by the PC, the board status should indicate “connected”, with the indicator in the window being green.

If the status indicator is red and indicates “not connected”, check the port address. To change the port address that the software uses, select “Options > MCP2510” and enter the correct port address in the appropriate dialog box (Figure 2.11).

Note: Port address is entered as a HEX value.

FIGURE 2.11: PC NODE OPTIONS



2.4.2 Match Oscillator Frequency with Board

The CAN data rate is a function of the oscillator frequency. Therefore, the proper oscillator frequency must be set in order for the software to calculate the CAN data rate correctly. Open the same window that was opened to set the parallel port address (Figure 2.11). The frequency of oscillation units are in kilohertz.

2.4.3 Configuring the Output Window Display Format

The output (bus monitor) window (Figure 2.5) can display the CAN messages in five different ways:

1. **Fixed Positions** - Messages with the same identifier maintain a fixed position (slot) within the window. The data and time stamp update normally. To turn fixed positions on/off, right click the mouse while the cursor is over the output window area and select "Fixed Positions".
2. **Dynamic Positions (Fixed Positions = off)** - Each new message is displayed below the previous message, regardless of the identifier. This mode is activated by unchecking Fixed Positions (right mouse click).
3. **Auto-Scroll** - Keeps the output window from auto-scrolling to the most recent message (bottom message). This is useful when messages are being regularly received and the user would like to observe old messages at the top of the buffer without having the focus shift to the end of the buffer each time a message is received.
To activate, right click the mouse while the cursor is over the output window and select "Auto-Scroll".
4. **Delta Time** - This is a time stamp that indicates the time(s) between two messages with the same identifier. Delta Times is activated as follows (Figure 2.8): If the "Select Formatters" window is not visible, select it from the "View" menu. Highlight (do not uncheck) the "Standard Text Format" text in the "Select Formatters" window. Click "Properties" and check the "Delta Times" box.
5. **Free Running Time** - A free running time stamp between messages with the same identifiers. This mode is activated by unchecking the "Delta Times" box.

MCP250XX USER'S GUIDE

2.5 Explaining the CAN Messages

At this point, the two nodes (PC Node and Node B) should be communicating normally. A message should be showing up in the output window (Figure 2.5) at regular intervals. Pushing GP4, GP5 or GP6 causes other messages to show up in the output window, with the status being reflected graphically in the demo window. Turning the potentiometers will cause the data fields to change.

This section explains the CAN messages as seen in the output (bus monitor) window.

Table 2.1: CAN Messages Explained

Identifier	Length	Data	Explanation
0x008	3	"Write Register" Input Message (IM)	DB0 (address) is either 0x23 or 0x26 (PR1 or PWM2DCH).
0x018	8	Read A/D Regs	"Read A/D Regs" IRM followed by OM.
0x280	0	None	On-bus message.
0x290	8	Read A/D Regs	A/D Threshold Detection (R20, POT and PWM2 duty cycle).
0x7FF	0	None	Command acknowledge in response to IM.

Chapter 3. MCP250XX Register View Tutorial

3.1 Introduction

A few topics covered in this chapter were also covered in the last chapter detailing the Basic Template tutorial. To avoid duplication, the appropriate sections in Chapter 2 will be referenced.

The MCP250XX Development Kit provides the means for programming and evaluating the MCP250XX CAN I/O Expander devices. This tutorial discusses the evaluation portion of the kit. This chapter details the demonstration software (Register Template) and CAN system (PC Node and Node B). It also covers the steps required to successfully communicate with the MCP250XX while in the register template.

The user defaults for Node B are pre-programmed at the factory. Therefore, no user default programming is necessary. No discussion of programming will take place in this chapter. The following chapter will detail programming user defaults.

Note: The software must be installed and the hardware connected to run the demonstration program.

3.2 Highlights

This chapter covers the following topics:

- Setting up the Evaluation Mode
- Establishing Communications
- Explaining the Windows

3.3 Setting up the Register Template Evaluation Mode

The MCP250XX Development Kit "Register Template" contains the following major elements that will be discussed in detail later in this chapter:

1. The **Menu Bar, PC Node Bit Timing and Mode** and **Board Status** windows are all discussed in Section 2.3.
2. **MCP250XX Filters** - Used to setup and test the MCP250XX Mask and Filters.
3. **MCP250XX Error Status** - Used to read the current transmit and receive error counters (TEC and REC), as well as the EFLG register.
4. **MCP250XX Physical Layer** - Displays the bit timing registers (CNF1, CNF2 and CNF3).

MCP250XX USER'S GUIDE

5. **MCP250XX Command Messages** - Implements the Command Messages as described in the data sheet. Information Request Messages (IRM), Output Messages and Input Messages are all represented in this window to enable the main functionality of the MCP250XX.

FIGURE 3.1: MCP250XX FILTERS

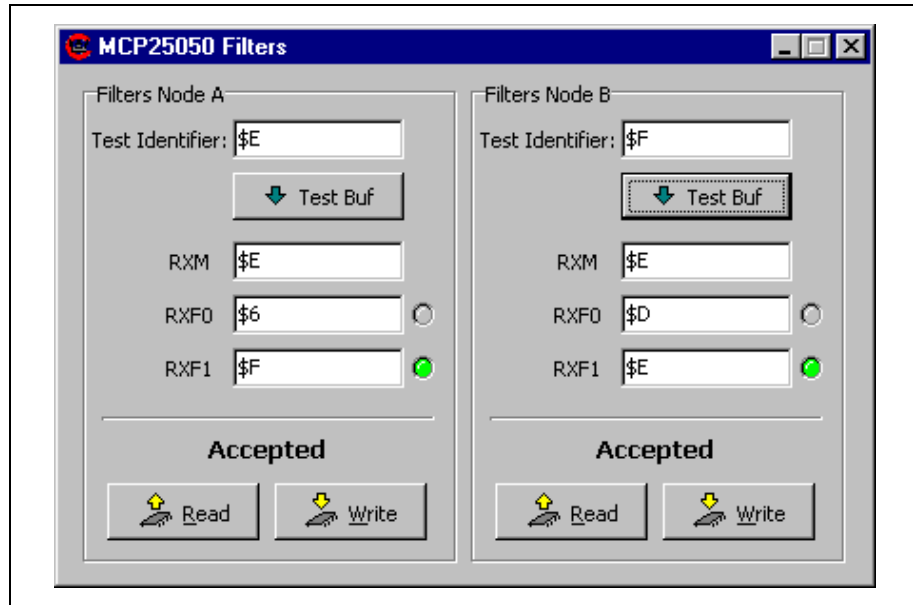
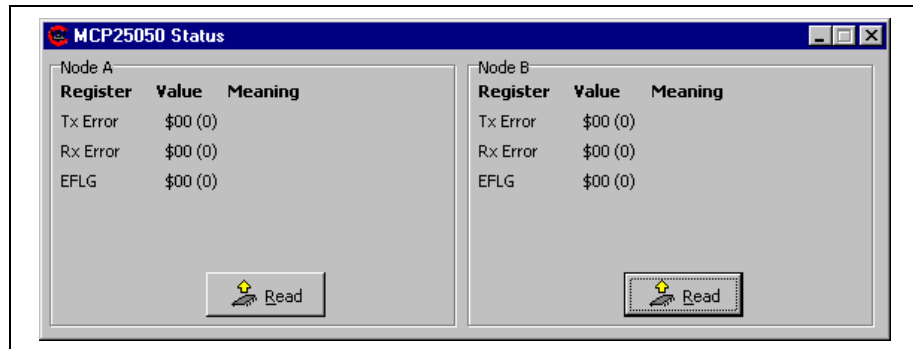
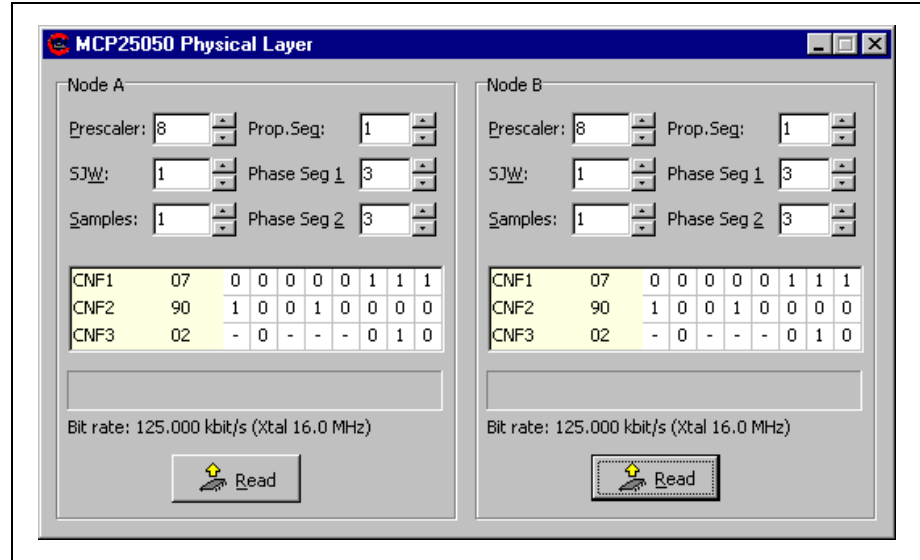


FIGURE 3.2: MCP250XX ERROR STATES



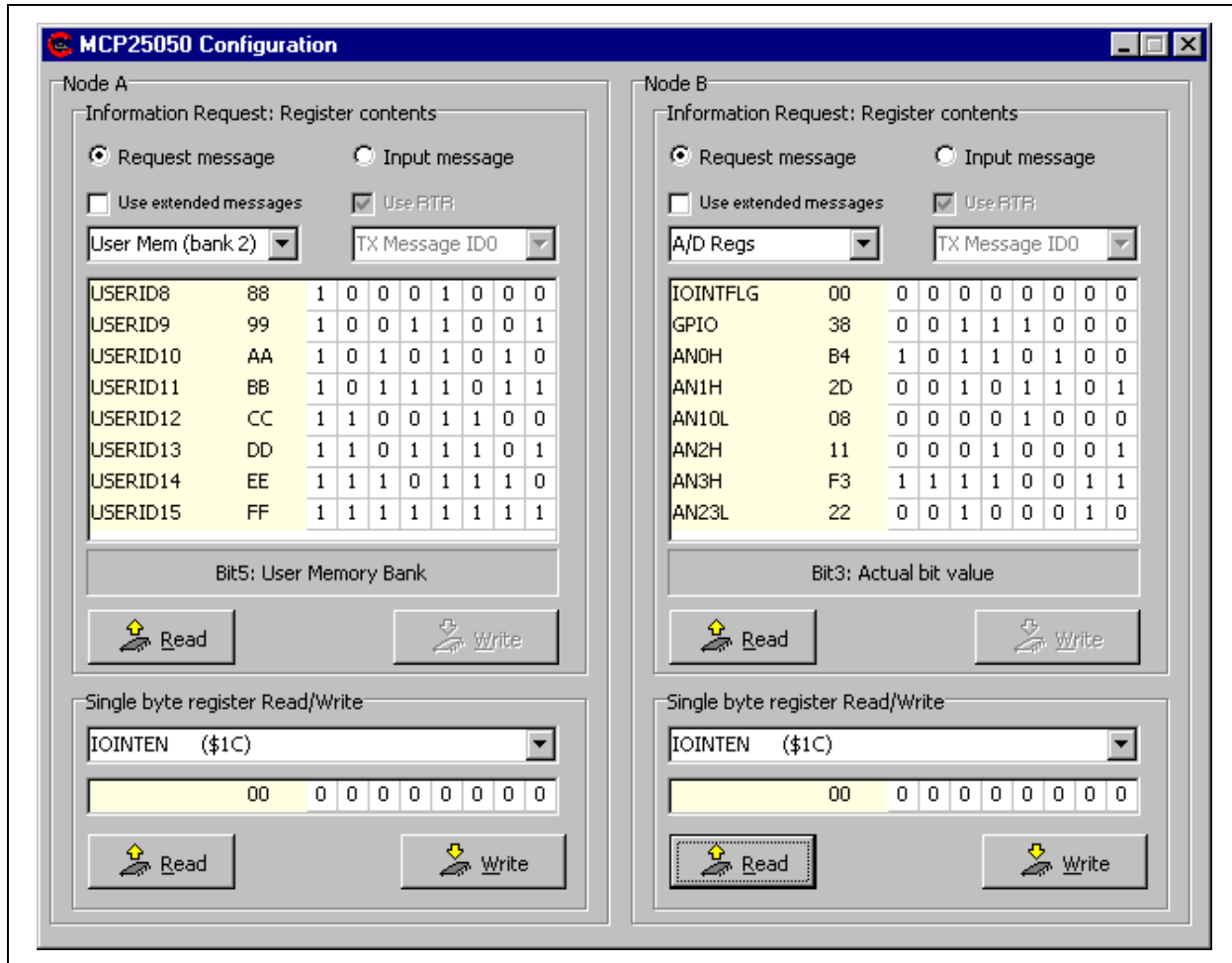
MCP250XX Register View Tutorial

FIGURE 3.3: MCP250XX PHYSICAL LAYER



MCP250XX USER'S GUIDE

FIGURE 3.4: MCP250XX COMMAND MESSAGES



3.3.1 Starting the Program

Because the start procedures are the same as in Section 2.3.1, there are references to figures in Chapter 2 in this section.

1. Start the software by any of the following:
 - From the "Start" menu, select "Programs > Microchip > CANKing"
 - Or select "C:\Program Files\Microchip\Mcan\WC32.exe"
 - Or Double click on the desktop icon for the MCP250XX Development Kit
2. A notice will appear warning of the potential undesired results, if connecting to an existing CAN bus (Figure 2.7). Select "OK, I know what I am doing".

MCP250XX Register View Tutorial

3. Next, a dialog will appear asking if a new template or a saved project should be opened. Select “New Template” (Figure 2.9).
4. When the template dialog appears, select “MCP250XX Evaluation” (Figure 2.10).

3.3.2 Setting the Numeric Base for Bus Monitor Window

If the “Select Formatters” window is not visible, select it from the “View” menu. Highlight (do not uncheck) the “Standard Text Format” text in the “Select Formatters” window. Click “Properties” and check the desired numeric base (see Figure 2.8).

A few other items must be addressed before proper communication can occur, as discussed in the next section.

3.4 Establishing Communication

Because the method for establishing communications is exactly the same as the last chapter, please refer to Section 2.4.

3.5 Explaining the Register Template Windows

The Register Template provides access to all of the user registers by using the Command Messages as defined in the data sheet.

3.5.1 General Information

Some general information about the windows.

There are three different ways to enter values into the windows, depending on the window function:

1. Entering byte value in the appropriate box.
2. Clicking up/down counters to increase/decrease the value by one.
3. Double clicking the desired bit location to toggle the bit to its opposite state.

The register bit names will be displayed for the location directly under the mouse pointer (Physical Layer and Configuration windows only).

3.5.2 MCP250XX Filters Window

The MCP250XX Filters window allows the user to read, modify and test the mask and filters settings. Care must be taken when modifying the mask and filter settings. Otherwise all or partial communications with the MCP250XX may be lost due to improper filter and mask settings.

Mask and filter settings can be tested against various identifiers simply by entering the desired identifier in the “Test Identifier” window and pressing the “Test Buf” button. This tests the entered identifier with the entered mask and filters settings and indicates pass/fail for each filter.

MCP250XX USER'S GUIDE

Example 3.1: Figure 3.1 shows a test where the mask is configured to accept IDs of Eh and Fh only (bit0 = 0 = "don't care").

3.5.3 MCP250XX Error States

The current receive and transmit error counters (REC and TEC) can be read, as can the EFLG register. This is the same as the "Read CAN Error" Information Request Message (IRM).

3.5.4 MCP250XX Physical Layer

The bit timing (CNF registers) cannot be changed from the default values. However, these registers can be read and displayed along with the parsed prescaler and TQ settings.

3.5.5 MCP250XX Command Messages

This window implements the Command Messages as described in the data sheet. Both IRMs and Input messages can be implemented by selecting the appropriate radio button (see Figure 3.4).

This window also gives the added functionality of reading and/or writing individual registers. Reading individual registers is actually an IRM that contains the desired register (e.g. reading IOINTEN register is actually a "Read Control Register" IRM command with the resulting Output message). Writing an individual register is a "Write Register" Input command.

Chapter 4. Programming the MCP250XX User Defaults

4.1 Introduction

The user memory for MCP250XX devices are initially blank from the factory. The user must program the user memory with user-defined defaults. There are three methods for programming the user memory.

1. Using MPLAB[®] IDE with the PRO MATE[®] II device programmer and the MCP250XX socket module.
2. Using the Device Programmer circuit on the MCP250XX Development Board with the programming software.
3. In-Circuit Serial Programming[™] (ICSP[™]), while following the MCP250XX Programming Specification (DS20072).

4.2 Highlights

The MCP250XX Development Kit supports two methods for programming the user defaults.

1. Using the Device Programmer circuit with the programming software.
2. Node A has an ICSP connector.

4.3 Device Programmer

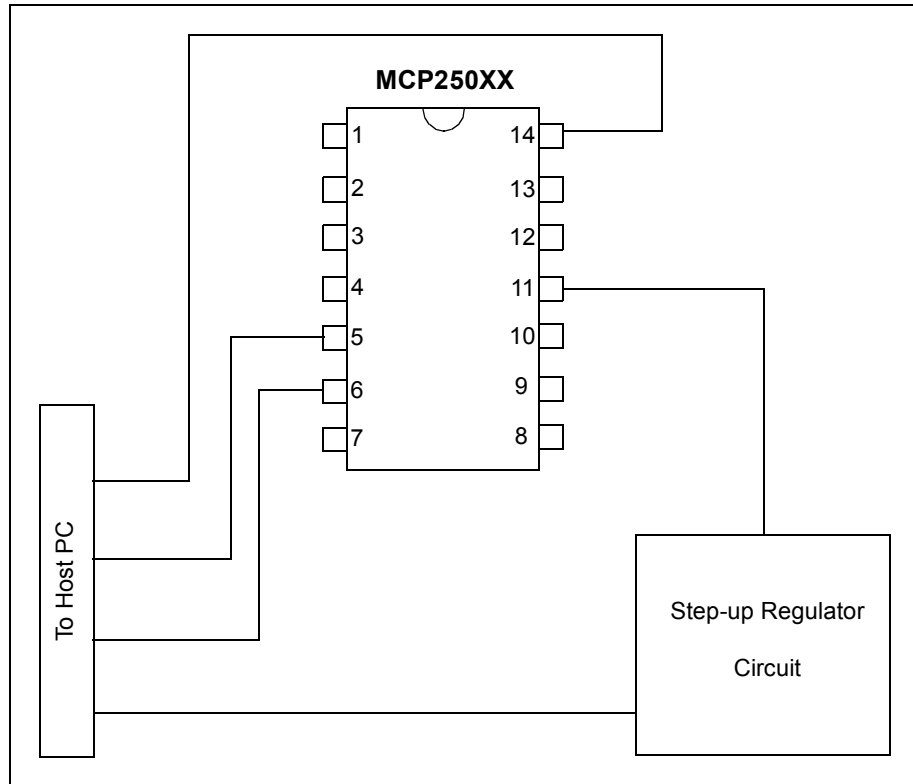
A device programmer circuit is built into the board to allow the user to easily program MCP250XX devices with the existing board (i.e., PRO MATE is not needed).

4.3.1 Circuit Description

The programming circuitry is designed to use the ICSP methodology as defined in the MCP250XX Programming Specification (DS20072). The circuitry routes all of the required signals, including the 13V Vpp signal that is generated by a step-up voltage regulator. Figure 4.1 shows the pinout for the MCP250XX socket in the Device Programmer circuitry.

MCP250XX USER'S GUIDE

FIGURE 4.1: DEVICE PROGRAMMER DIAGRAM



4.3.2 PC Software

The programming circuitry is controlled by a host PC application through the DB25 connector. The PC application is a graphical interface that allows the device to be quickly and easily configured with the user defaults. Figure 4.2 shows the main screen, used to navigate to all of the MCP250XX device peripherals that can be configured with the defaults.

The other screens, as shown in Figure 4.3 - Figure 4.7, are for configuring all of the peripherals. Together, both the hardware and software use the ICSP methodology as described in the MCP250XX programming specification.

The software has the ability to save user defaults into IHEX8 format, which can be imported to the PRO MATE device programmer through MPLAB IDE for programming the MCP250XX devices.

Programming the MCP250XX User Defaults

FIGURE 4.2: PROGRAMMER SOFTWARE MAIN SCREEN

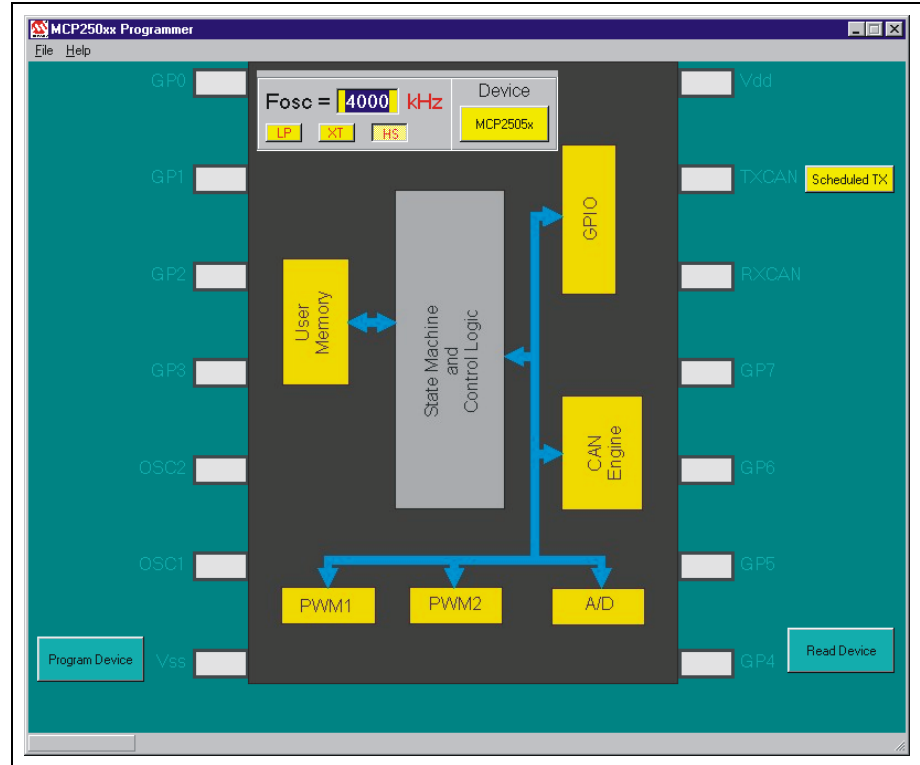
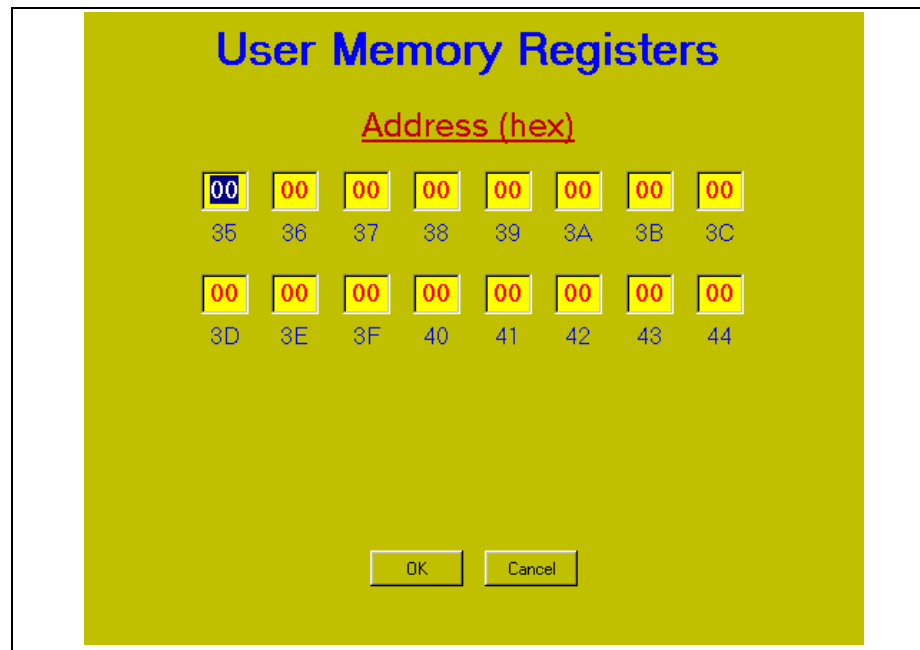


FIGURE 4.3: USER MEMORY



MCP250XX USER'S GUIDE

FIGURE 4.4: CAN MODULE

TXIDnSIDH	TXIDnSIDL	TXIDnEID8	TXIDnEID0	RAW ID
FF	FF	FF	FF	Ext ID 1FFFFFFF
FF	FF	FF	FF	Ext ID 1FFFFFFF
FF	FF	FF	FF	Ext ID 1FFFFFFF

RXnSIDH	RXnSIDL	RXnEID8	RXnEID0	Ext ID
FF	FF	FF	FF	1FFFFFFF
FF	FF	FF	FF	1FFFFFFF
FF	FF	FF	FF	1FFFFFFF

TXID0SIDH	TXID0SIDL	TXID0EID8	TXID0EID0	TXID1SIDH	TXID1SIDL	TXID1EID8
FF	EB	FF	FF	FF	EB	FF
TXID1EID0	TXID2SIDH	TXID2SIDL	TXID2EID8	TXID2EID0	RXMSIDH	RXMSIDL
FF	FF	EB	FF	FF	FF	EB
RXMEID8	RXMEID0	RXF0SIDH	RXF0SIDL	RXF0EID8	RXF0EID0	RXF1SIDH
FF	FF	FF	EB	FF	FF	FF
RXF1SIDL	RXF1EID8	RXF1EID0	CNF1	CNF2	CNF3	OPTREG2
EB	FF	FF	00	00	00	00

FIGURE 4.5: PWM MODULES

PWM2

Click on waveform labels to configure PWM

PWM Period: 1 μ s

PWM Freq: 1000 KHz

Duty Cycle Period: 0 μ s

Duty Cycle: 0 %

PWM Resolution: 2

Timer Prescaler: 1 (selected), 4, 16

PWM Output: ON

T2CON: 80, PR2: FF, PWM2DCH: FF

OK, Cancel

Programming the MCP250XX User Defaults

FIGURE 4.6: A/D MODULE

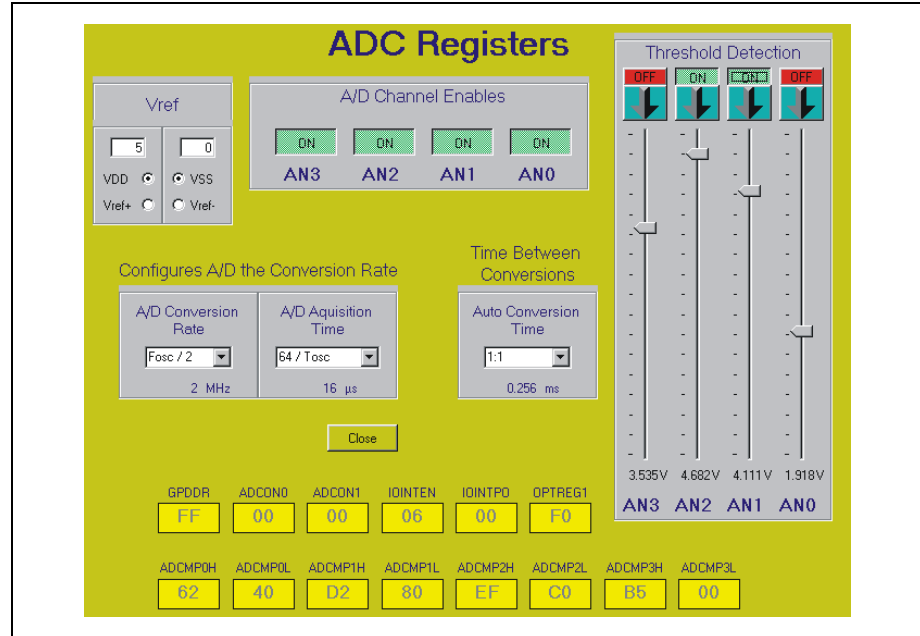
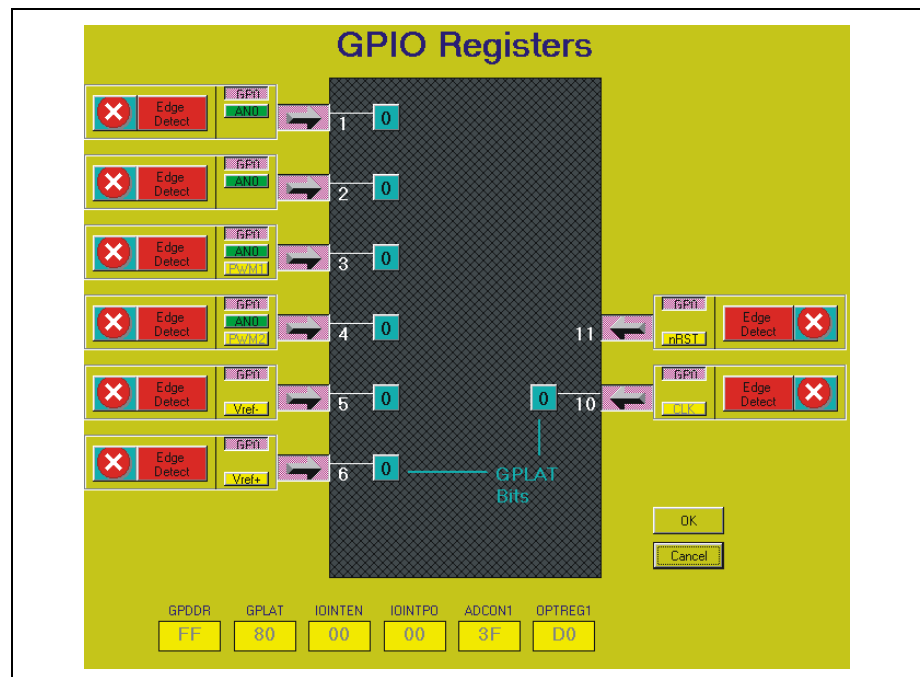


FIGURE 4.7: GPIO MODULE



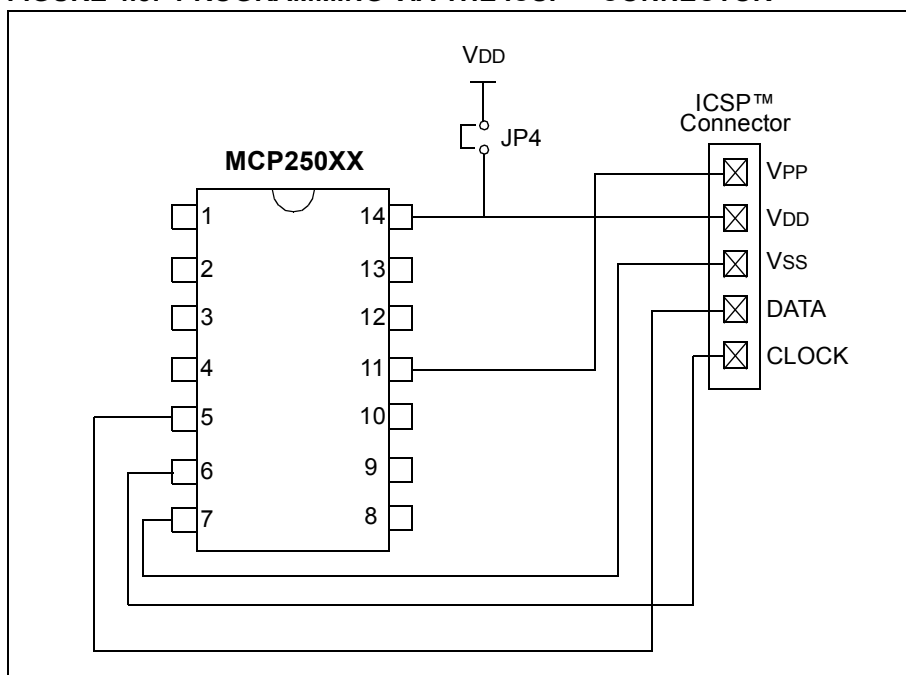
MCP250XX USER'S GUIDE

4.4 Programming via the ICSP Connector

There is an ICSP connector on Node A that can be used to program the user defaults with an external programmer. To insure successful programming, the MCP250XX Programming Specification (DS20072) must be adhered to.

The JP4 jumper allows the MCP250XX socket to be isolated from board power so the programmer does not have to drive the board while programming.

FIGURE 4.8: PROGRAMMING VIA THE ICSP™ CONNECTOR



Chapter 5. Other Capabilities of the Development Board

5.1 Introduction

The MCP250XX Development Board has a few capabilities and configurations that are discussed in this chapter.

5.2 Highlights

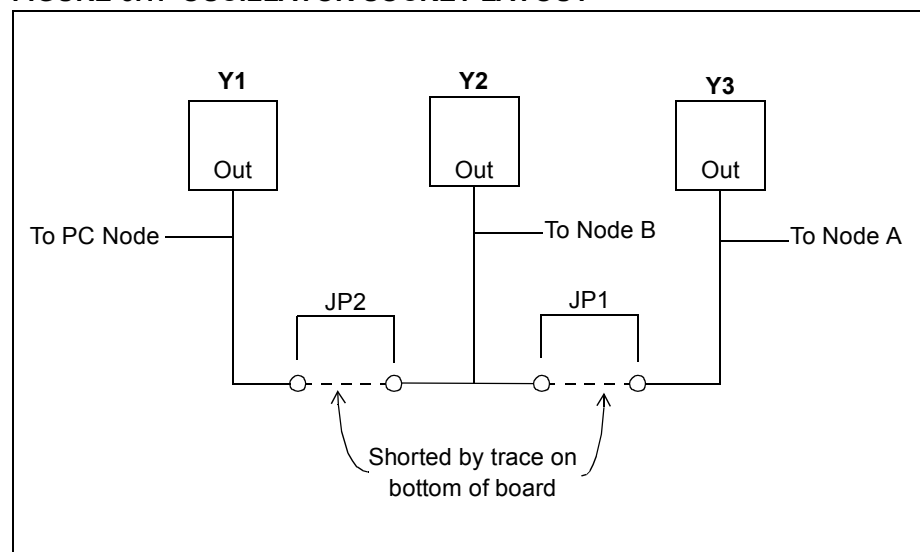
This chapter discusses:

- Oscillator Configurations
- Node A Prototyping Area and Header Pinout
- External CAN Bus Connections

5.3 Oscillator Configurations

The MCP250XX Development Board is configured, by default, to use a common oscillator for all three CAN nodes. There are three oscillator sockets, though only one is populated. The oscillator sockets are connected together with their outputs. The two jumpers (JP1 and JP2) can be used to disconnect the outputs and use individual oscillators for the nodes. The jumpers are shorted by a trace on the bottom of the board by default. These traces can be cut, and jumper pins can be installed, to control the oscillator output wiring. See Figure 5.1 for details on the oscillator configurations.

FIGURE 5.1: OSCILLATOR SOCKET LAYOUT



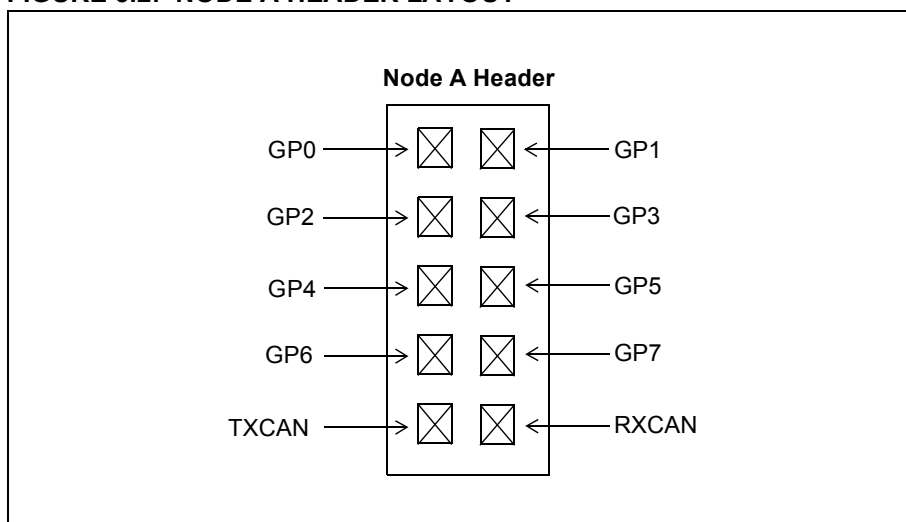
MCP250XX USER'S GUIDE

5.4 Node A Prototyping Area and Header Pinout

In addition to ICSP capabilities, Node A can also be used for prototyping custom MCP250XX configurations. This node has a prototyping area as well as a header that can be used for probing the MCP250XX pinout. Figure 5.2 shows the layout of the header.

Note: JP4 must be shorted to enable board power to the MCP250XX socket.

FIGURE 5.2: NODE A HEADER LAYOUT



Other Capabilities of the Development Board

5.5 External Bus Connections

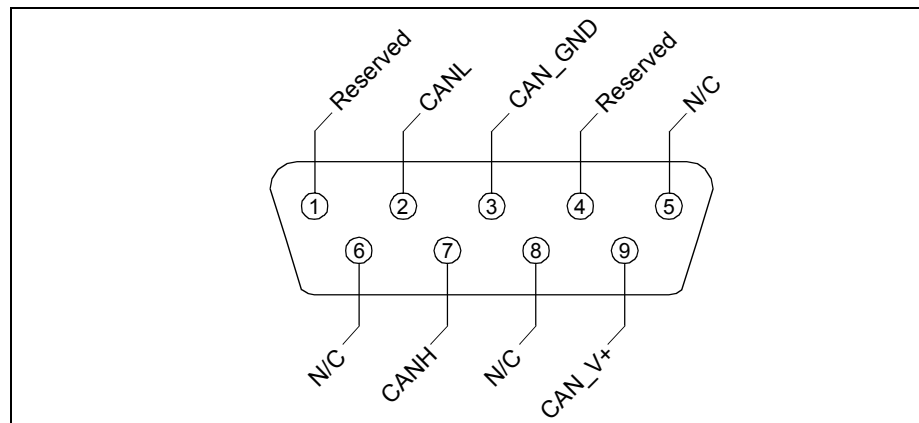
The MCP250XX Development Board can be connected to an external CAN bus through the DB9(s). The DB9 pinout is the same as the defacto standard, as recommended by the CAN in Automation (CiA) group. At a minimum, CANH (pin 7) and CANL (pin 2) must be connected. However, CAN_GND (pin 3) and CAN_V+ (pin 9) may also be connected to supply power to and from another board. Table 5.1 and Figure 5.3 show the pinout and connector, respectively.

Note: If supplying power to or from the MCP250XX Development Board, be sure the voltage regulator specification is not violated.

Table 5.1: CAN Connector Pinout

Pin #	Name	Description
1	--	Reserved
2	CANL	CAN low bus line
3	CAN_GND	CAN ground
4	--	Reserved
5	N/C	Not connected
6	N/C	Not connected
7	CANH	CAN high bus line
8	--	Reserved
9	CAN_V+	CAN power

FIGURE 5.3: EXTERNAL CAN BUS CONNECTOR



MCP250XX USER'S GUIDE

NOTES:

Appendix A. Schematics and Layouts

A.1 Introduction

This appendix contains the schematics and layouts for the MCP250XX Development Kit.

A.2 Highlights

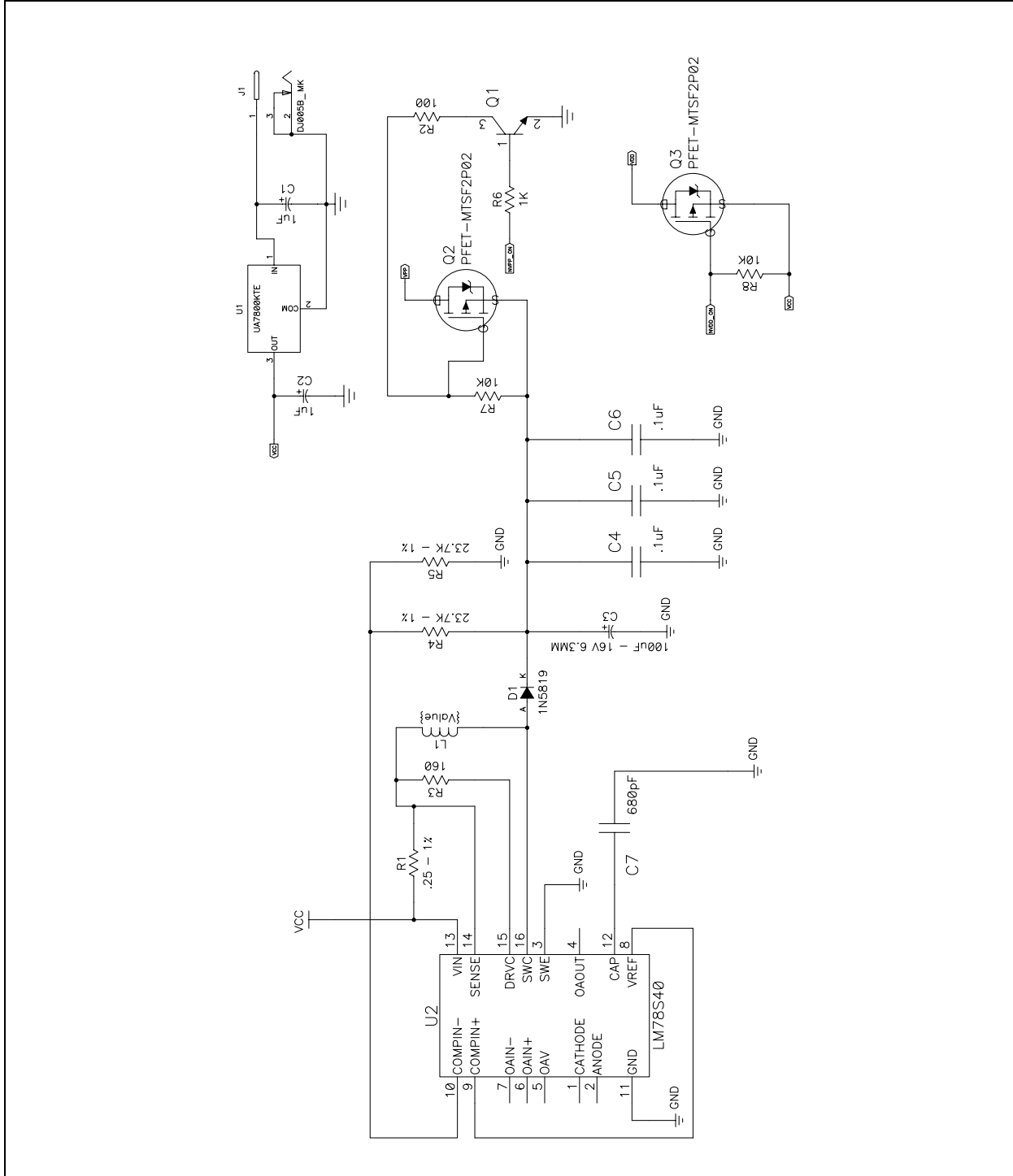
Diagrams included in this appendix:

- Vpp Step-Up Regulator circuit
- Programming Clock/Data Logic circuit
- PC Interface/CAN Node circuit
- CAN Bus Interface circuit
- Node A/Node B circuit
- Capacitors circuit

MCP250XX USER'S GUIDE

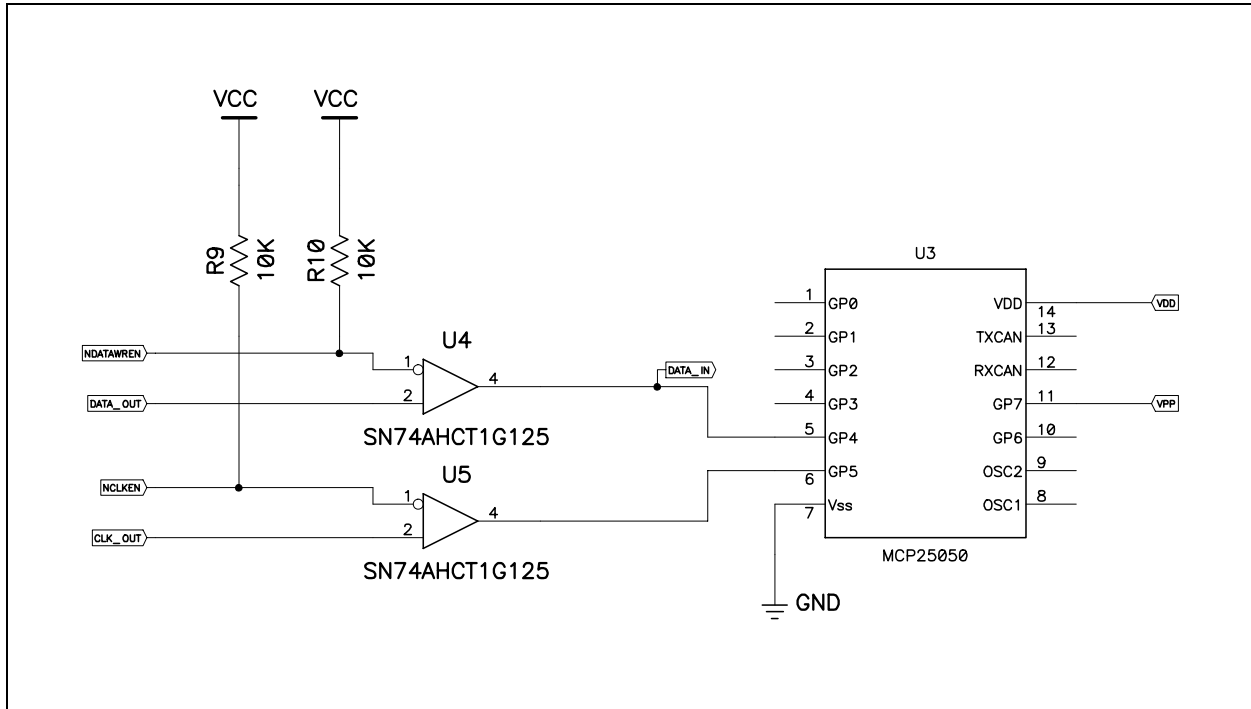
A.3 Vpp Step-up Regulator

FIGURE A.1: VPP STEP-UP REGULATOR CIRCUIT



A.4 Clock and Data for Programming

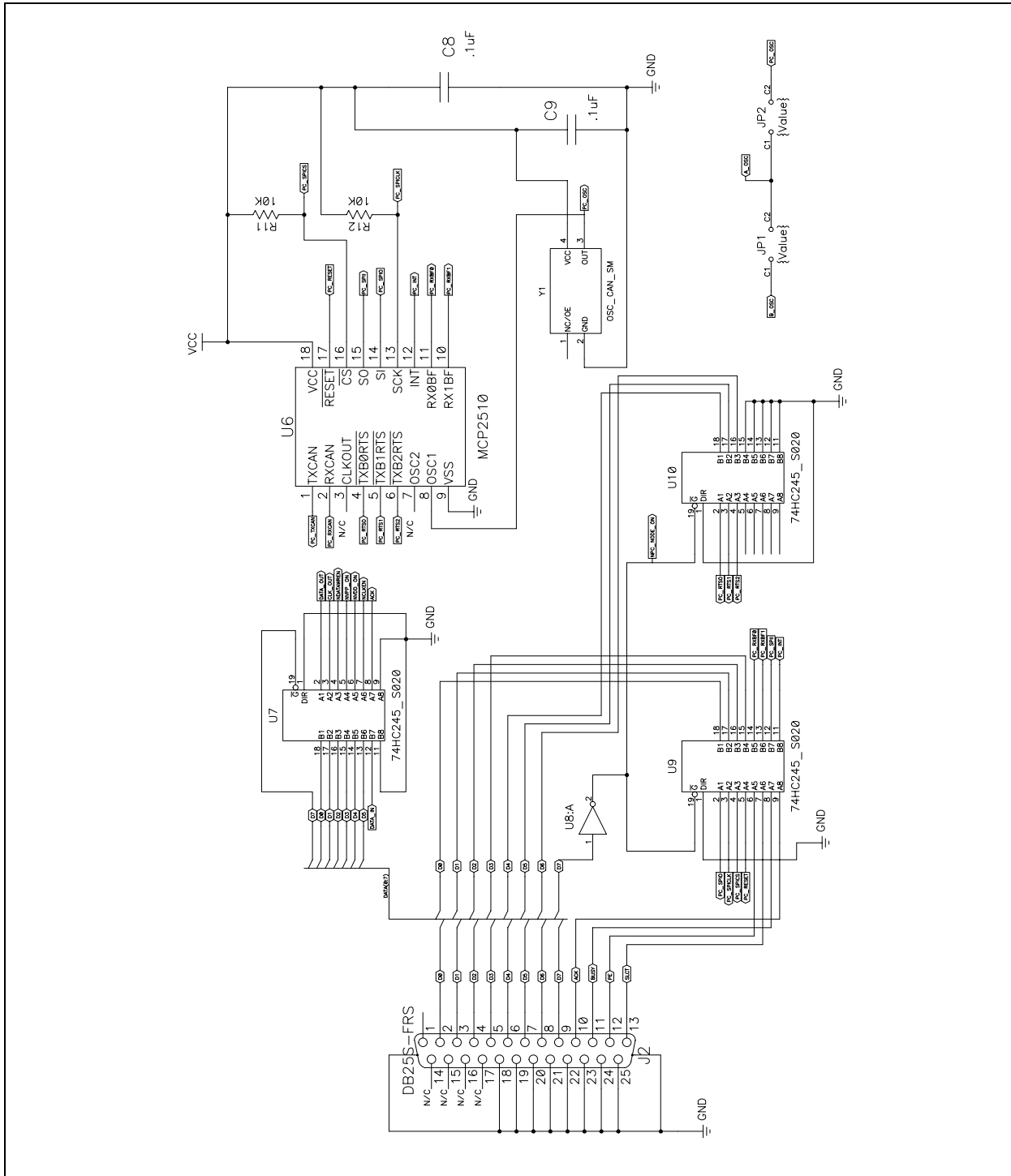
FIGURE A.2: PROGRAMMING CLOCK/DATA LOGIC CIRCUIT



MCP250XX USER'S GUIDE

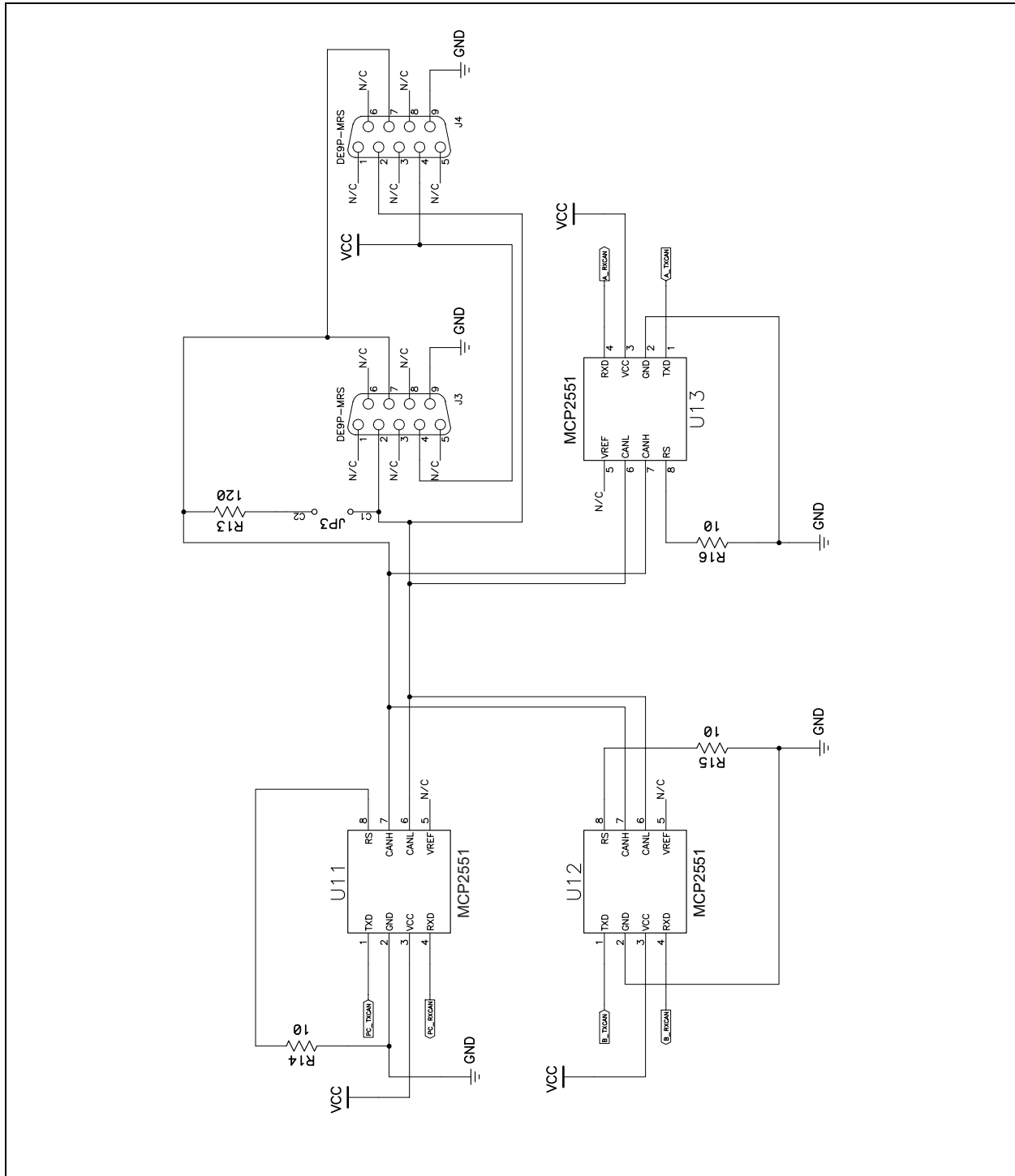
A.5 PC Node

FIGURE A.3: PC INTERFACE/CAN NODE CIRCUIT



A.6 CAN Physical Layer

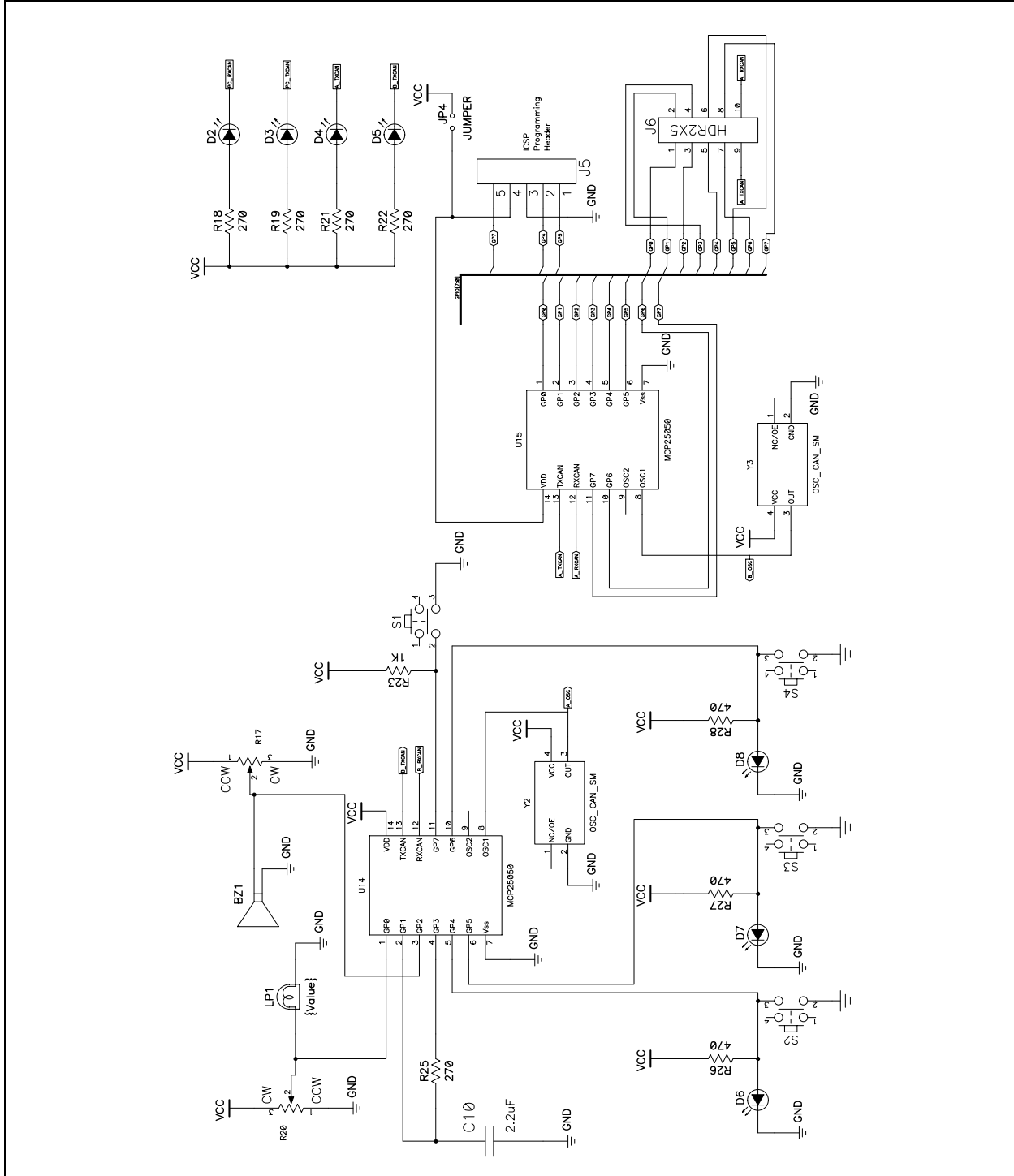
FIGURE A.4: CAN BUS INTERFACE CIRCUIT



MCP250XX USER'S GUIDE

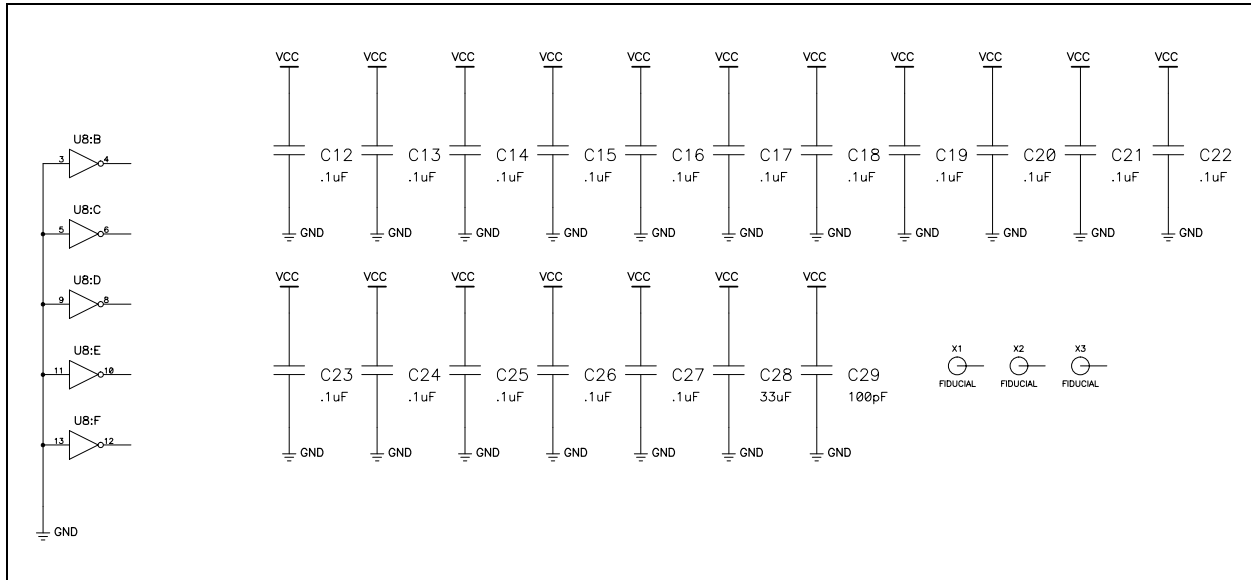
A.7 Node A and Node B

FIGURE A.5: NODE A/NODE B CIRCUIT



A.8 Caps Page

FIGURE A.6: CAPACITORS CIRCUIT



MCP250XX USER'S GUIDE

NOTES:

Index

B	
Basic View Tutorial:	
Setting the Numeric Base	13
Setting up the Basic Template	9
Starting the Program	13
Board Components	4
C	
CAN Messages	18
Customer Support	ix
D	
Document Layout	v
E	
Establishing Communications	16
H	
Hardware Installation	7
I	
Installing:	
Hardware	7
Software	8
K	
Kit Components	3
M	
Microchip Internet Web Site	viii
O	
Other Capabilities:	
External Bus Connections	32
External CAN Bus Connector	33
Oscillator Configurations	31
Prototyping Area	32
P	
Product Overview and Installation:	
Board Components	4
Key Areas of the Development	
Board	6
Kit Components	3
System Requirements	2
Programming the User Defaults:	
Device Programmer	25
PC Software	26
Programming via the ICSP	
Connector	30
R	
Recommended Reading	vi
Register Template Windows	23
Register View Tutorial:	
Setting the Numeric Base	23
Setting Up the Evaluation Mode ...	19
Starting the Program	22
S	
Schematic and Layouts	35
Software Installation	8
System Requirements	2
T	
Troubleshooting	vii
U	
Updates	vi
W	
What is the MCP250XX Development	
Kit?	1



MICROCHIP

WORLDWIDE SALES AND SERVICE

AMERICAS

Corporate Office

2355 West Chandler Blvd.
Chandler, AZ 85224-6199
Tel: 480-792-7200 Fax: 480-792-7277
Technical Support: 480-792-7627
Web Address: <http://www.microchip.com>

Rocky Mountain

2355 West Chandler Blvd.
Chandler, AZ 85224-6199
Tel: 480-792-7966 Fax: 480-792-4338

Atlanta

500 Sugar Mill Road, Suite 200B
Atlanta, GA 30350
Tel: 770-640-0034 Fax: 770-640-0307

Boston

2 Lan Drive, Suite 120
Westford, MA 01886
Tel: 978-692-3848 Fax: 978-692-3821

Chicago

333 Pierce Road, Suite 180
Itasca, IL 60143
Tel: 630-285-0071 Fax: 630-285-0075

Dallas

4570 Westgrove Drive, Suite 160
Addison, TX 75001
Tel: 972-818-7423 Fax: 972-818-2924

Detroit

Tri-Atria Office Building
32255 Northwestern Highway, Suite 190
Farmington Hills, MI 48334
Tel: 248-538-2250 Fax: 248-538-2260

Kokomo

2767 S. Albright Road
Kokomo, Indiana 46902
Tel: 765-864-8360 Fax: 765-864-8387

Los Angeles

18201 Von Karman, Suite 1090
Irvine, CA 92612
Tel: 949-263-1888 Fax: 949-263-1338

San Jose

Microchip Technology Inc.
2107 North First Street, Suite 590
San Jose, CA 95131
Tel: 408-436-7950 Fax: 408-436-7955

Toronto

6285 Northam Drive, Suite 108
Mississauga, Ontario L4V 1X5, Canada
Tel: 905-673-0699 Fax: 905-673-6509

ASIA/PACIFIC

Australia

Microchip Technology Australia Pty Ltd
Suite 22, 41 Rawson Street
Epping 2121, NSW
Australia
Tel: 61-2-9868-6733 Fax: 61-2-9868-6755

China - Beijing

Microchip Technology Consulting (Shanghai)
Co., Ltd., Beijing Liaison Office
Unit 915
Bei Hai Wan Tai Bldg.
No. 6 Chaoyangmen Beidajie
Beijing, 100027, No. China
Tel: 86-10-85282100 Fax: 86-10-85282104

China - Chengdu

Microchip Technology Consulting (Shanghai)
Co., Ltd., Chengdu Liaison Office
Rm. 2401, 24th Floor,
Ming Xing Financial Tower
No. 88 TIDU Street
Chengdu 610016, China
Tel: 86-28-86766200 Fax: 86-28-86766599

China - Fuzhou

Microchip Technology Consulting (Shanghai)
Co., Ltd., Fuzhou Liaison Office
Unit 28F, World Trade Plaza
No. 71 Wusi Road
Fuzhou 350001, China
Tel: 86-591-7503506 Fax: 86-591-7503521

China - Shanghai

Microchip Technology Consulting (Shanghai)
Co., Ltd.
Room 701, Bldg. B
Far East International Plaza
No. 317 Xian Xia Road
Shanghai, 200051
Tel: 86-21-6275-5700 Fax: 86-21-6275-5060

China - Shenzhen

Microchip Technology Consulting (Shanghai)
Co., Ltd., Shenzhen Liaison Office
Rm. 1315, 13/F, Shenzhen Kerry Centre,
Renminnan Lu
Shenzhen 518001, China
Tel: 86-755-82350361 Fax: 86-755-82366086

China - Hong Kong SAR

Microchip Technology Hongkong Ltd.
Unit 901-6, Tower 2, Metroplaza
223 Hing Fong Road
Kwai Fong, N.T., Hong Kong
Tel: 852-2401-1200 Fax: 852-2401-3431

India

Microchip Technology Inc.
India Liaison Office
Divyasree Chambers
1 Floor, Wing A (A3/A4)
No. 11, O'Shaughnessy Road
Bangalore, 560 025, India
Tel: 91-80-2290061 Fax: 91-80-2290062

Japan

Microchip Technology Japan K.K.
Benex S-1 6F
3-18-20, Shinyokohama
Kohoku-Ku, Yokohama-shi
Kanagawa, 222-0033, Japan
Tel: 81-45-471-6166 Fax: 81-45-471-6122

Korea

Microchip Technology Korea
168-1, Youngbo Bldg. 3 Floor
Samsung-Dong, Kangnam-Ku
Seoul, Korea 135-882
Tel: 82-2-554-7200 Fax: 82-2-558-5934

Singapore

Microchip Technology Singapore Pte Ltd.
200 Middle Road
#07-02 Prime Centre
Singapore, 188980
Tel: 65-6334-8870 Fax: 65-6334-8850

Taiwan

Microchip Technology (Barbados) Inc.,
Taiwan Branch
11F-3, No. 207
Tung Hua North Road
Taipei, 105, Taiwan
Tel: 886-2-2717-7175 Fax: 886-2-2545-0139

EUROPE

Austria

Microchip Technology Austria GmbH
Durisolstrasse 2
A-4600 Wels
Austria
Tel: 43-7242-2244-399
Fax: 43-7242-2244-393

Denmark

Microchip Technology Nordic ApS
Regus Business Centre
Lautrup høj 1-3
Ballerup DK-2750 Denmark
Tel: 45 4420 9895 Fax: 45 4420 9910

France

Microchip Technology SARL
Parc d'Activite du Moulin de Massy
43 Rue du Saule Trapu
Batiment A - 1er Etage
91300 Massy, France
Tel: 33-1-69-53-63-20 Fax: 33-1-69-30-90-79

Germany

Microchip Technology GmbH
Steinheilstrasse 10
D-85737 Ismaning, Germany
Tel: 49-89-627-144 0 Fax: 49-89-627-144-44

Italy

Microchip Technology SRL
Centro Direzionale Colleoni
Palazzo Taurus 1 V. Le Colleoni 1
20041 Agrate Brianza
Milan, Italy
Tel: 39-039-65791-1 Fax: 39-039-6899883

United Kingdom

Microchip Ltd.
505 Eskdale Road
Winnersh Triangle
Wokingham
Berkshire, England RG41 5TU
Tel: 44 118 921 5869 Fax: 44-118 921-5820

10/18/02